

Optional/Related products

AE-UT Adaptor (optional)



■ Aiming Dry Fog where needed



■ Intensive large volume spraying

AE-UT Adaptor enables you to adjust spray direction as desired, just by installing it between the nozzle and the humidifier body. You can easily attach and remove it by hand.

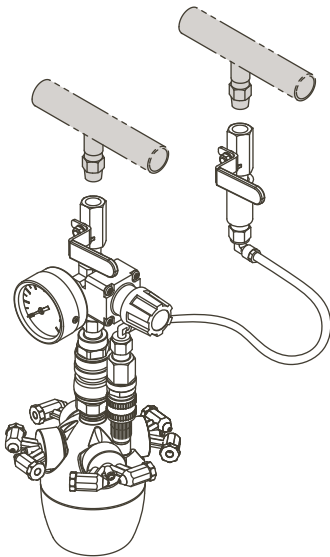
Chemical-resistant type is also available.

Note: Stop spraying before you change the direction.

Pipe Connection Kits (optional)

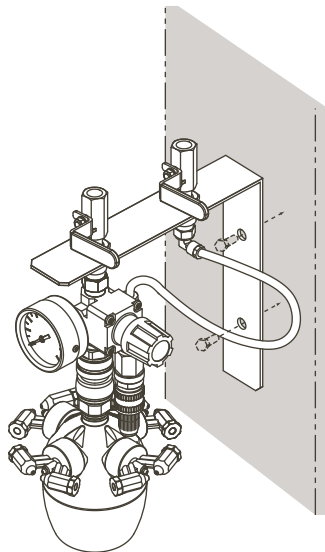
Convenient pipe connection kits for easy installation of AKIMist® "E". These kits come assembled.

Hanging-down (NP) Kit (w/o plate)



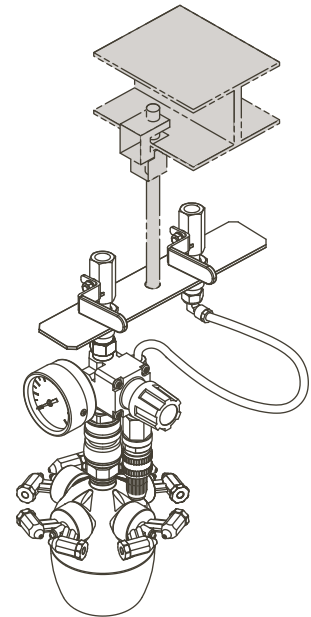
● Rc 1/4" threaded connection.

Wall Mounting Kit



● Bolts for fixing mounting plate are not included and need to be prepared by customers.
● The diameters of holes on the plate are 9 mm.
● Rc 1/4" threaded connection.

Hanging-down Kit



● Bolts and hanging fixture are not included and need to be prepared by customers.
● The diameter of hole on the plate is 11 mm.
● Rc 1/4" threaded connection.

Note: Gray parts are NOT included in the kit.
These pipe connection kits are not chemical resistant.

How to order

Please use this coding system to send an inquiry or to order for a specific model. To add a pipe connection kit, please specify the connection kit type in [].

<Example> AE-1 (03C) + [Hanging-down Kit]

Note: Up to four nozzles can be mounted on one AKIMist® "E".

AE-	1	(03C)	+	Hanging-down Kit
	Number of nozzles	Nozzle type		Type of pipe connection kit
	■ 1	■ (03C)		■ Hanging-down (NP) Kit (w/o plate)
	■ 2	■ (03B)		■ Wall Mounting Kit
	■ 3	■ (04E)		■ Hanging-down Kit
	■ 4			