

## GREENHOUSE ENTRANCE DISINFECTATION UNIT Pest Control Gate



**Easy setup**

**No installation work required**

**Effective disinfection**

- Turns hypochlorous acid water solution<sup>\*1</sup> into disinfectant spray with fine droplets to kill germs on worker clothing.
- Fine fog<sup>\*2</sup> doesn't bother workers with excess wetting. Effective disinfection.
- Push-button switch starts and keeps spraying for a pre-set time as desired. A foot switch is available as an option.
- Easy installation and use.

<sup>\*1</sup>Apply a commercially available solution with concentration in approx.30 ppm. The one generated by electrolyzing hydrochloric acid is recommend.

<sup>\*2</sup>Mean droplet diameter 30–45 μm

### Evaluation test of disinfection effect

#### [Test method]

Fungi (general fungi, powdery mildew fungi, and gray mold fungi) were planted in a container and passed through Pest Control Gate fog<sup>\*3</sup>. Then, growth of molds was observed and documented.

<sup>\*3</sup>Hypochlorous acid water: 30 ppm  
Spray distance: 800 mm from the nozzle

#### [Results]

Successful mold extermination and no mold growth even one week later, were observed.

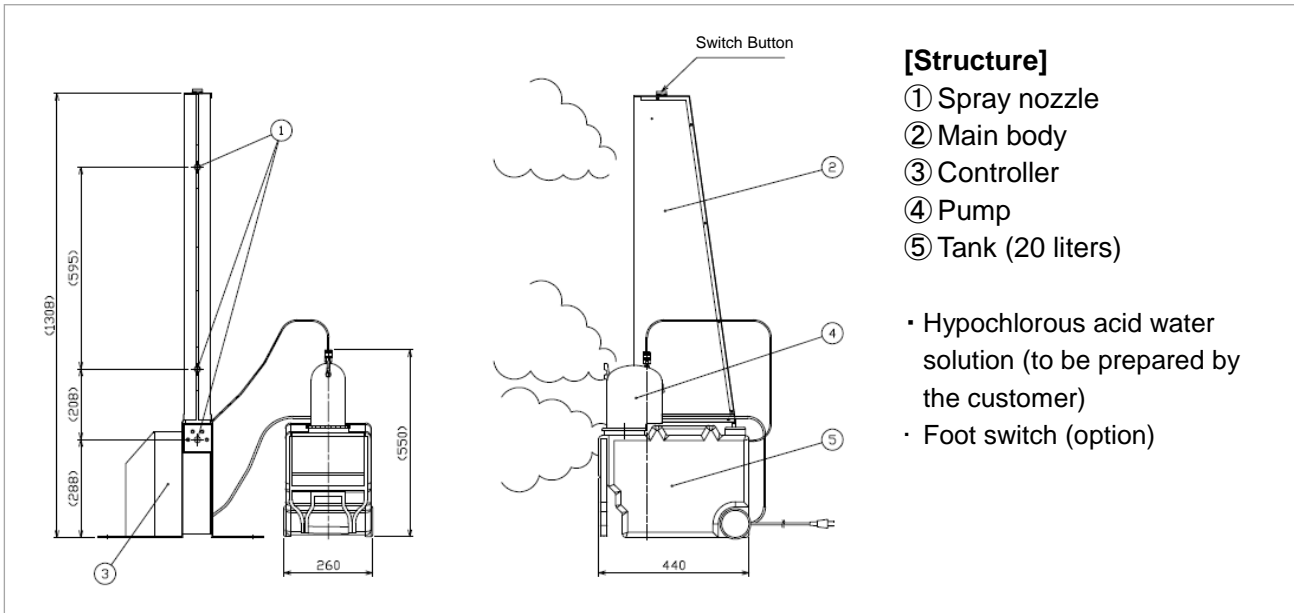
The frequency of pest control can be greatly reduced, saving thousands of dollars of chemical solution cost.<sup>\*4</sup>

<sup>\*4</sup>This was the observation at our on-site farm. Results may vary depending on the site.

Conditions	Right after disinfected	Seven days later
Disinfected by Pest Control Gate		
Not disinfected		



# Dimensions



### [Structure]

- ① Spray nozzle
- ② Main body
- ③ Controller
- ④ Pump
- ⑤ Tank (20 liters)

- Hypochlorous acid water solution (to be prepared by the customer)
- Foot switch (option)

### [Specifications]

Power source: 100 VAC (50/60 Hz)

Other voltages available on request.

Power consumption: 200 W (by pump and fan)

Spray duration: 15 seconds (initial setting)

Spray capacity: 12.5 cc/ time (initial setting)

Spray time: Approx. 1,600 times per full tank

(when spray time is 15 seconds.)

Note: Do not use or store in freezing cold environments.



## For customers desiring system-control of the cultivation facilities

Temperature/humidification control and disease prevention in one system!  
Automated Cooling + Humidification + Pest Control System **CoolPescon®**

Quick cooling and humidification without wetting crops  
Semi-Dry Fog® Cooling/Humidification System **CoolPescon® CH**



Visit our farms in Nishiwaki (Hyogo Pref.), and Kashiwa (Chiba Pref.) in Japan

The contents of this leaflet and the specifications and appearance of the listed products are subject to change without notice for quality improvement purposes.

For details or any inquiry please feel free to contact our sales office or mail us at [overseas@kirinoikeuchi.co.jp](mailto:overseas@kirinoikeuchi.co.jp).



“The Fog Engineers”  
**H. IKEUCHI & CO., LTD.**

### Headquarters

Daiichi Kyogyo Bldg., 1-15-15, Awaza, Nishi-ku, Osaka 550-0011, Japan

Tel: 81-6-6538-4015 Fax: 81-6-6538-4022

Email: [overseas@kirinoikeuchi.co.jp](mailto:overseas@kirinoikeuchi.co.jp)

URL: <https://www.kirinoikeuchi.co.jp/eng/>

We have our branches and affiliate companies around the world—in China, USA, The Netherlands, Turkey, Thailand, Indonesia, UAE, and more. Please see our website for the nearest contact.

<https://www.kirinoikeuchi.co.jp/eng/company/location/>