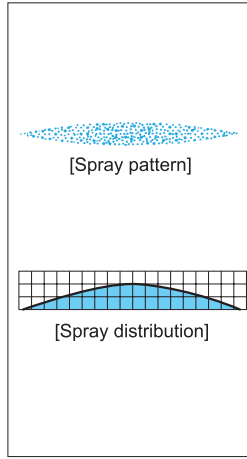


# One-piece Structure Standard Flat Spray Nozzles

## UVVP

Flat Spray



### [Features]

- Flat spray pattern with a mountain-shaped spray distribution having gradually tapered edges.
- Made of ultrahigh molecular weight polyethylene, UVVP series features high wear resistance and keep stable performance as polishing nozzles over prolonged use.

### [Standard pressure]

0.3 MPa

### [Applications]

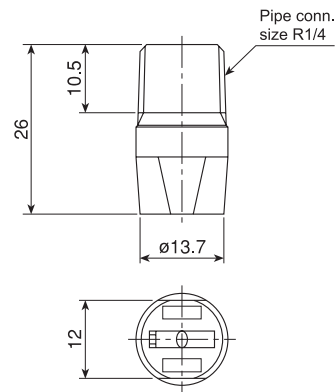
Polishing: Liquid honing, through-hole  
Others: Cleaning, spraying, cooling

## UVVP series

UVVP series	
Structure	• Simple one-piece structure.
Material	• Ultrahigh molecular weight polyethylene (UPE)
Mass	• 2.5 g

### [Note]

- Appearance and dimensions may differ slightly depending on materials and nozzle codes.
- The spread of the flat spray is parallel to the grooves.



Spray capacity code	Spray angle (°)			Spray capacity (ℓ/min)						Mean droplet diameter (μm)	Free passage diameter (mm)
	0.15 MPa	0.3 MPa	0.5 MPa	0.05 MPa	0.1 MPa	0.15 MPa	0.2 MPa	0.3 MPa	0.5 MPa		
40	50	65	70	1.63	2.31	2.83	3.27	4.00	5.16	300-360	1.3
50	51	65	70	2.04	2.89	3.54	4.08	5.00	6.46		1.5

## How to order

Please inquire or order for a specific nozzle using this coding system.

<Example> 1/4M UVVP 6540 UPE

1/4M UVVP 65 40 UPE

Spray capacity code

- 40
- 50