

**Compact,
Lightweight,
Long-life**

Semi-Dry Fog® Pump Unit

IKE11-03IK



Features

- Plunger pump for high-pressure operation at 6 MPa with low discharge rate.
- Discharge rate is adjustable from 4.8 to 18.0 L/hr.
- Ideal for use with small capacity, fine fog spray nozzles.
- Intermittently operable.
- Low energy consumption: motor capacity 110 W.
- Works with any commercial voltage in the world: operable at 100–240 VAC.

Specifications

Outer dimensions (mm)	Max. operating pressure (MPa)	Discharge rate (L/hr)	Power supply voltage (V)	Motor capacity (W)	Mass of pump body (kg)	Function and features
W 212 D 356 H 233	6	4.8–18.0	Single phase, 100–240 VAC (50/60 Hz)	110	8.5	<ul style="list-style-type: none"> • Intermittent ON/OFF operation • Operation time integrator built-in • Auto shutoff when the pump starts dry run

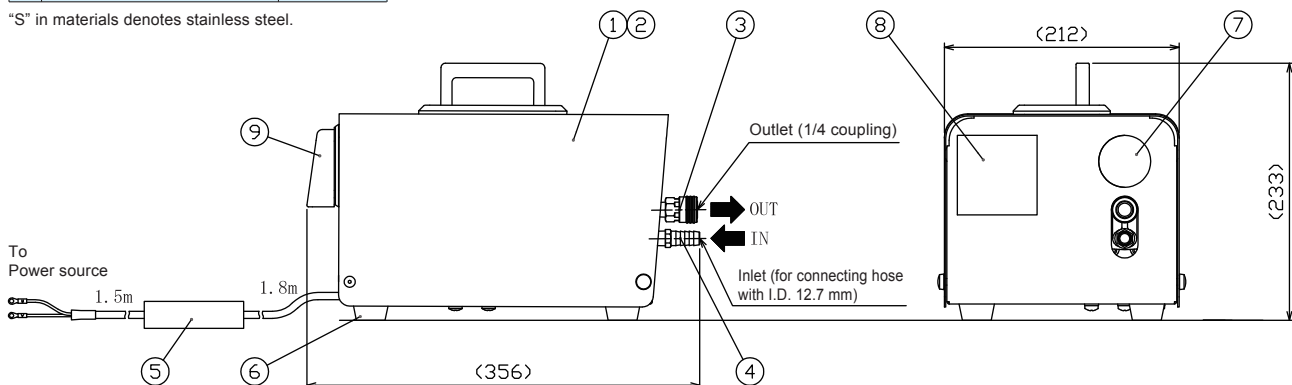
Structure and Materials

No.	Components	Materials	No.	Components	Materials
①	Pump	—	⑥	Rubber feet	NBR
②	Case	Coated SS	⑦	Pressure gauge (10 MPa)	—
③	Quick couplings (2NSM)	S304, etc.	⑧	Controller	—
④	Hose nipple	S304	⑨	Louver	ABS
⑤	AC Adapter	—			

Note:

1. Required inlet water pressure is 0.08–0.5 MPa.
2. Install a water filter of 5 μm.

*"S" in materials denotes stainless steel.



Applications

Fine fog spraying for cooling, humidification, moistening, dust suppression, and more.



Specifications of the products and contents of this leaflet are subject to change without prior notice for purpose of product improvement.

Please feel free to send any inquiry, request for information or quote on this product to the contacts below.

“The Fog Engineers”
いけうち H. IKEUCHI & CO., LTD.

Headquarters: Osaka, JAPAN

Tel: 81-6-6538-4015 Fax: 81-6-6538-4022

Daiichi Kyogyo Bldg., 1-15-15, Awaza, Nishi-ku, Osaka 550-0011, Japan

E-mail: overseas@kirinoikeuchi.co.jp URL: <https://www.kirinoikeuchi.co.jp/eng/>

Oversease network:

<https://www.kirinoikeuchi.co.jp/eng/company/location/#sales>