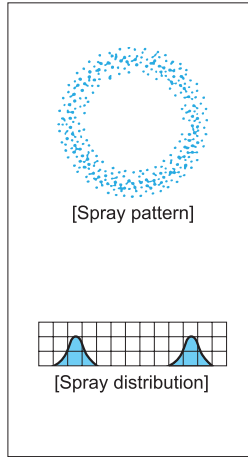


Semi-fine Atomization and Small Capacity Hollow Cone Spray Nozzles



Hollow Cone



[Features]

- Small capacity hollow cone spray nozzle.
- Semi-fine atomization.
- The whirl chamber is formed by a ceramic orifice and closer, which provides excellent wear-resistance.

[Standard pressure]

0.3 MPa

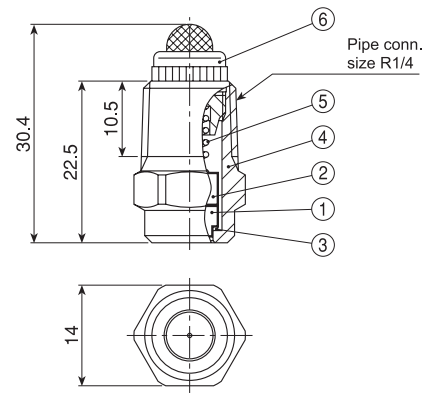
[Applications]

- Humidifying: Air handling units
- Cooling: Gas, metals
- Spraying: Chemicals

K series

K series (with ceramic orifice inserted)	
Structure	<ul style="list-style-type: none"> • Nozzle orifice and closer are made of ceramics. • All models include built-in strainers.
Material	<ul style="list-style-type: none"> • Nozzle orifice & closer: ceramic • Nozzle body: S303 or B (brass)
Mass	<ul style="list-style-type: none"> • S303: 17.5 g • B (brass): 18.5 g

[Note] Appearance and dimensions may differ slightly depending on materials and nozzle codes.



- ①Ceramic orifice ②Ceramic closer ③Packing (PTFE)
- ④Nozzle body ⑤Spring (S316)
- ⑥Strainer (S303+S304 or B+S304)

Spray capacity code	Spray angle (°)			Spray capacity (ℓ/min)									Mean droplet diameter (μm)	Free passage diameter (mm)	Strainer mesh size					
	0.15 MPa	0.3 MPa	0.7 MPa	0.15 MPa	0.2 MPa	0.3 MPa	0.5 MPa	0.7 MPa	1 MPa	1.5 MPa	2 MPa	2.5 MPa								
006	—	80	80	—	—	0.06	0.08	0.09	0.11	0.13	0.15	0.16	80	0.4	150					
008	—	80	80	—	—	0.08	0.10	0.12	0.14	0.17	0.20	0.22								
010	—	80	80	—	—	0.10	0.13	0.15	0.18	0.22	0.25	0.27				0.5	100			
012	—	80	80	—	—	0.12	0.15	0.18	0.21	0.26	0.30	0.33								
015	—	80	80	—	0.12	0.15	0.19	0.22	0.27	0.32	0.37	0.41				200	0.6	100		
020	70	80	80	0.14	0.16	0.20	0.26	0.30	0.35	0.43	0.49	0.55							0.7	50
025	70	80	80	0.18	0.21	0.25	0.32	0.37	0.44	0.54	0.62	0.69								
030	70	80	80	0.22	0.25	0.30	0.38	0.45	0.53	0.65	0.74	0.82							0.9	50
040	70	80	80	0.29	0.33	0.40	0.51	0.60	0.71	0.86	0.99	1.10								
050	70	80	80	0.36	0.41	0.50	0.64	0.75	0.89	1.08	1.23	1.37							1.0	50
060	70	80	80	0.43	0.49	0.60	0.77	0.90	1.06	1.29	1.48	1.65	1.0	50						
070	70	80	80	0.50	0.58	0.70	0.89	1.05	1.24	1.51	1.73	1.92			1.0				50	
080	70	80	80	0.58	0.66	0.80	1.02	1.20	1.42	1.72	1.97	2.20	1.2	50						
100	70	80	80	0.72	0.82	1.00	1.28	1.50	1.77	2.15	2.47	2.74			1.3				50	
120	70	80	80	0.86	0.99	1.20	1.53	1.80	2.13	2.58	2.96	3.29	1.3	50						
140	70	80	80	1.01	1.15	1.40	1.79	2.10	2.48	3.01	3.46	3.84			1.5	50				
160	70	80	80	1.15	1.32	1.60	2.04	2.40	2.84	3.44	3.95	4.39	1.5	50						
180	70	80	80	1.29	1.48	1.80	2.30	2.69	3.19	3.87	4.44	4.94			380	1.7	50			

How to order

Please inquire or order for a specific nozzle using this coding system.

<Example> 1/4M K 006N S303W

1/4M K 006N S303 W

Spray capacity code	Material
■ 006	■ S303
┌	■ B
■ 180	