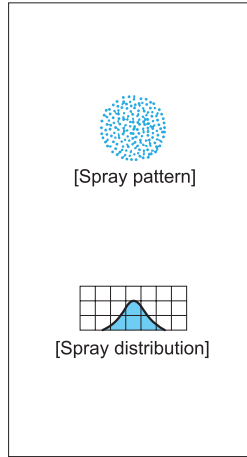


Narrow-angle Full Cone Spray Nozzles

NJJP



[Features]

- Narrow-angle full cone spray pattern with a round impact area and uniform distribution.
- Unique design producing fine atomization without a whirler.
- No-whirler design with large free passage diameter minimizes clogging.

[Standard pressure]

0.3 MPa

[Applications]

Cleaning: Pipes, bottles, containers, filters
Cooling: Steel plates

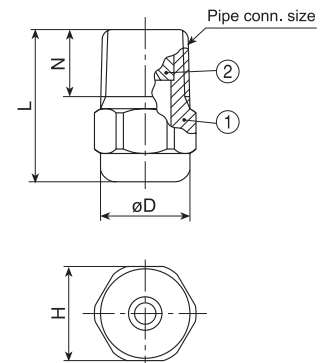
Full Cone

NJJP series

NJJP series	
Structure	<ul style="list-style-type: none"> • One piece structure with a press-fit orifice tip. • No obstructions in nozzle interior.
Material	<ul style="list-style-type: none"> • S303 • Optional material: S316

Pipe conn. size	Dimensions (mm)				Mass (g)
	L	H	øD	N	
R1/4	24	14	13.5	10.5	19.5
R3/8	32	19	18	11	48

[Note] Appearance and dimensions may differ slightly depending on materials and nozzle codes.



① Nozzle body ② Orifice tip

Spray angle code	Spray capacity code	Pipe conn. size		Spray angle (°)			Spray capacity (ℓ/min)						Mean droplet diameter (μm)	Free passage diameter (mm)
		R1/4	R3/8	0.15 MPa	0.3 MPa	0.7 MPa	0.15 MPa	0.2 MPa	0.3 MPa	0.5 MPa	0.7 MPa	1 MPa		
30	06	○		26	30	32	4.80	5.26	6.00	7.42	8.54	9.91	750	2.5
	08	○		26	30	32	6.40	7.02	8.00	9.90	11.4	13.2		
	14		○	26	30	32	11.2	12.3	14.0	17.3	19.9	23.1		
	20		○	26	30	32	16.0	17.5	20.0	24.7	28.5	33.0		
15	06	○		12	15	16	4.80	5.26	6.00	7.42	8.54	9.91	925	2.4
	08	○		12	15	16	6.40	7.02	8.00	9.90	11.4	13.2		
	14		○	12	15	16	11.2	12.3	14.0	17.3	19.9	23.1		
	20		○	12	15	16	16.0	17.5	20.0	24.7	28.5	33.0		

[Note] Please use NJJP series nozzles at water pressure of 0.15 MPa or greater to obtain a stable spray pattern.

How to order

Please inquire or order for a specific nozzle using this coding system.

〈Example〉 1/4M NJJP 30 06 S303

1/4M NJJP 30 06 S303

Pipe conn. size*	Spray angle code	Spray capacity code
■ 1/4M	■ 30	■ 06
■ 3/8M	■ 15	∩
		■ 20

*"M" indicates male thread ("R" of the ISO standard) and "F" indicates female thread ("Rc" of the ISO standard), e.g. 1/4M = R1/4.