

Universal Joints WUT series



Photo is WUT Universal Joint with a spray nozzle.



FEATURES

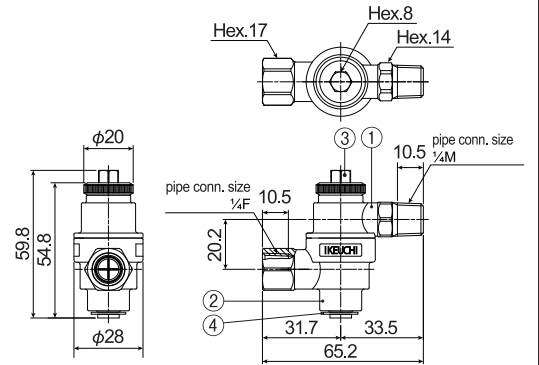
- 360° rotatable to adjust spray direction.
- Includes a rotating lock to keep the nozzle direction fixed.
- Stabilizing function suppresses internal turbulent flow.
- Withstands high pressure up to 3 MPa.
- Safe design prevents parts from dropping off when the lock is released.

Dimensions

Materials:
Adaptor: SCS13
Bolt: S303
E-ring: S304
O-ring: NBR

Mass: 146g

- ① Adaptor
- ② Bolt
- ③ Bolt
- ④ E-ring



How to order

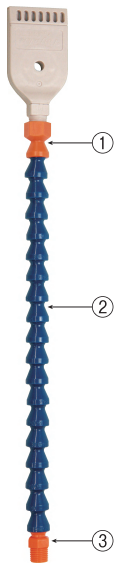
Please inquire or order as below.

WUT 1/4M × 1/4F SCS13

⚠ Cautions for use

- The bolt may loosen because of vibration if it is screwed in by hand. Tighten with a torque-wrench at 6 N·m.
- Maximum working pressure is 3 MPa.
- When used with a solid stream jet nozzle, slightly turbulent flow occurs.

Flexible Tube FT series



Materials: POM
Max. allowable temperature: 65°C (140°F)

- ① Female connector (for nozzle)
- ② Segment
- ③ Male connector (for air supply)

Number of segments: 18 pcs., 14 pcs., 10 pcs., 6 pcs., 2 pcs.

Photo is Flexible Tube with TAIFUJet® (42-mm wide type).

FEATURES

- Tube path and angle can be adjusted as desired.
- Highly pliable hose holds its shape well and will not spring back.
- Various types of air nozzles can be attached according to your usage.

Dimensions and mass

*Total length excludes the nozzle.

Screw size for		Total length* (mm)	Number of segments (Quantity)	Mass (g)
Air supply (③)	Nozzle (①)			
1/8M	1/8F	71	2	8.6
		131	6	15.4
		190	10	22.2
		249	14	29.0
		309	18	35.8
1/4M	1/4F	76	2	9.2
		135	6	16.0
		194	10	22.8
		254	14	30.0
		313	18	36.4
1/4M	1/8F	71	2	9.0
		131	6	15.8
		190	10	22.6
		250	14	28.6
		309	18	36.2

How to order

Please inquire or order for a specific tube using this coding system.

When air supply screw size ③ is 1/4M

<Example> FT 1/4M×1/4F 76-2 POM

FT 1/4M × 1/4F

Nozzle connecting screw size ①
■ 1/8F
■ 1/4F

When nozzle connecting side ① is size 1/8F

When nozzle connecting side ① is size 1/4F

76-2

Total length - Number of segments

■ 71-2 ■ 250-14
■ 131-6 ■ 309-18
■ 190-10

■ 76-2 ■ 254-14
■ 135-6 ■ 313-18
■ 194-10

POM

When air supply screw size ③ is 1/8M

<Example>

FT 1/8M×1/8F 71-2 POM

FT 1/8M × 1/8F

71-2

POM

Total length -

Number of segments

■ 71-2 ■ 249-14
■ 131-6 ■ 309-18
■ 190-10

⚠ Cautions for use

Use FT series at air pressure **under 0.3 MPa**.

(In some cases, the tube may not remain fixed depending on the nozzle type and/or tube length due to its spray reaction force).