

Air Booster Nozzles

42 mm wide

- ▶ Uniform distribution resulting from the unique flat design.
- ▶ 42 mm wide standard flat air nozzle with $\phi 1.0$ mm orifice.

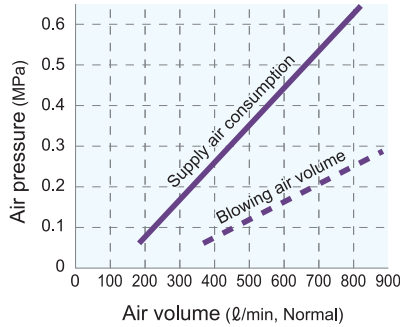
Flat Type



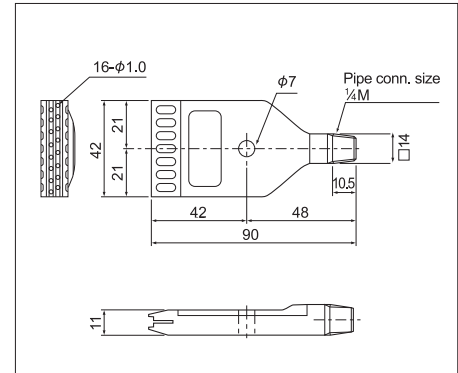
【Spray pattern】



Material: PPS
 Mass: 30 g
 Max. air pressure: 0.7 MPa (100 psi)
 Max. allowable temperature: 120°C (240°F)



Dimensions



24 mm wide
 Compact type

- ▶ Ultra-compact air nozzle (24 mm wide, 30 mm long) with equal high spray impact and minimal noise level.
- ▶ Compact enough to install in a narrow space, such as for blow-off drying in corners.

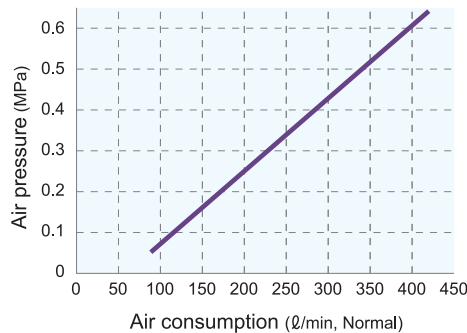
Flat Type



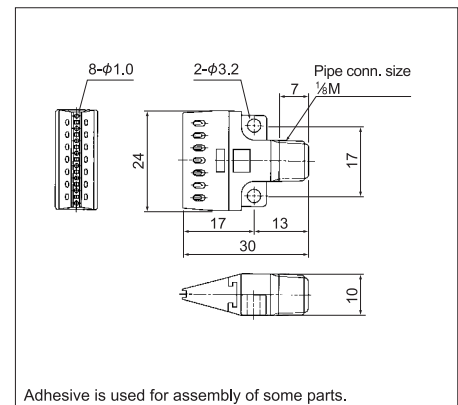
【Spray pattern】



Material: PPS
 Mass: 4 g
 Max. air pressure: 0.7 MPa (100 psi)
 Max. allowable temperature: 120°C (240°F)



Dimensions



How to order

Please inquire or order for a specific nozzle using this coding system.

① 42 mm wide type

1/4M (PT) TF-F 42-16-010 PPS

Thread type
 ■ (PT)
 ■ (NPT)

② 24 mm wide, compact type

1/8M TF-F 24-8-010 PPS-IN