

For compressors

Flat Type  
Plastic

FEATURES

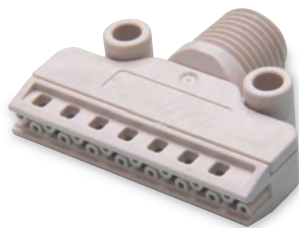
- Uniform distribution resulting from the unique flat design.
- Made of high chemical/heat resistant PPS.
- Designed to have minimal noise level.

Flat Type



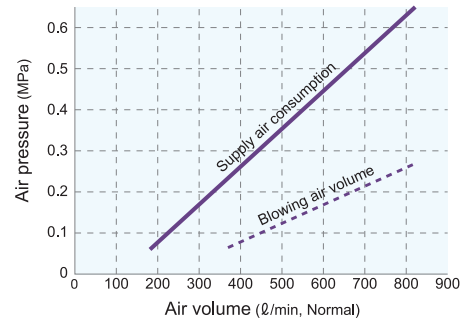
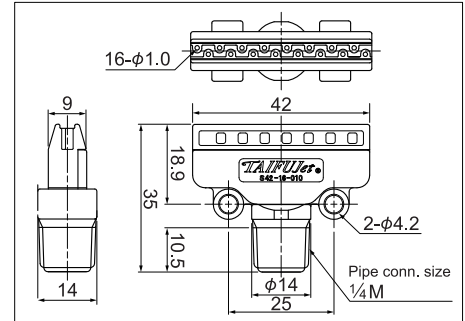
42 mm wide  
Short type

- ▶ Compact, much shorter body (35 mm long) compared to the conventional 42 mm wide type.
- ▶ Uniform distribution resulting from the unique flat design.



Material: PPS  
Mass: 9 g  
Max. air pressure: 0.7 MPa (100 psi)  
Max. allowable temperature: 120°C (240°F)

Dimensions



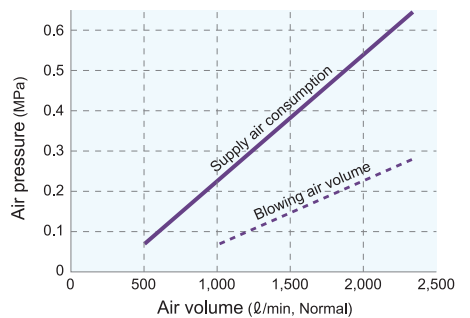
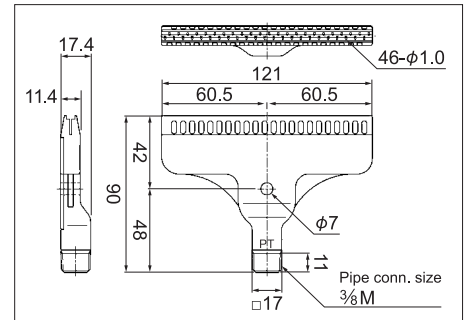
121 mm wide  
Broad type

- ▶ Powerful air nozzle dramatically multiplies the supplied air volume.
- ▶ Spray width is three times broader than our conventional flat type (42 mm wide).



Material: PPS  
Mass: 62 g  
Max. air pressure: 0.7 MPa (100 psi)  
Max. allowable temperature: 120°C (240°F)

Dimensions



How to order

Please inquire or order using these product codes.

① 42 mm wide, short type

1/4M (PT) TF-FS 42-16-010 PPS

Thread type  
■ (PT) ■ (NPT)

② 121 mm wide, broad type

3/8M (PT) TF-F 121-46-010 PPS

Thread type  
■ (PT) ■ (NPT)