

For compressors

Round Type

FEATURES

- High impact solid stream of air blown from eight holes.
- Standard round type air nozzle for high-impact, pinpoint blowing.
- Compact design, lightweight.
- Quiet operation with noise level reduced by more than 10 dB (A) compared to conventional one-hole air nozzle.
- For applications which require high spray impact air blow into gaps and narrow spaces (pipes, etc.).

Round Type



【Spray pattern】

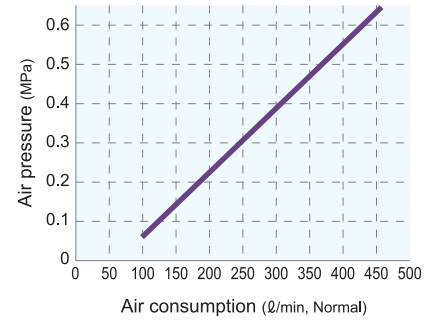
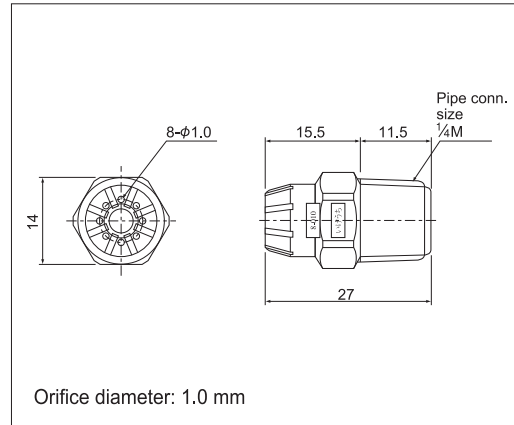
Plastic

► Affordable, made of PP.



Material: PP
 Mass: 2 g
 Max. air pressure: 0.7 MPa (100 psi)
 Max. allowable temperature: 60°C (140°F)

Dimensions



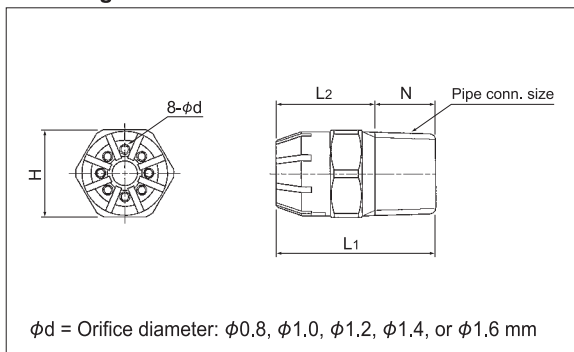
Stainless Steel

- Made of stainless steel S316L with high resistance to shock, heat and chemicals.
- Two pipe connection size types, 1/8M and 1/4M, and five orifice diameter types, φ0.8 mm–φ1.6 mm, are available.
- Use in air with large amounts of foreign matter is possible.



Material: S316L equivalent
 Max. air pressure: 1.0 MPa (140 psi)
 Max. allowable temperature: 400°C (750°F)

Drawing



Orifice diameter code	Pipe conn. size		Orifice diameter (mm)	Air consumption (ℓ/min, Normal)		
	1/8M	1/4M		0.1 MPa	0.3 MPa	0.5 MPa
8-008	○	—	0.8	80	155	235
8-010	○	○	1.0	125	245	365
8-012	○	○	1.2	180	360	540
8-014	○	○	1.4	240	480	720
8-016	—	○	1.6	320	630	940

"○" shows availability of the item.
 Note: Surface gloss may vary depending on nozzle size.

Dimensions and mass

Pipe conn. size	Orifice diameter (mm)				Mass (g)
	L1	L2	H	N	
1/8M	20	13	12	7	7
1/4M	25	15.5	14	9.5	12

How to order

Please inquire or order for a specific nozzle using this coding system.

① Plastic

1/4M TF-R 8-010 PP-IN

② Stainless steel

<Example> 1/8M TF-R 8-010 S316L-IN

1/8M TF-R 8-010 S316L-IN

Pipe connection size

- 1/8M
- 1/4M

Orifice diameter code

- 8-008 ■ 8-012 ■ 8-016
- 8-010 ■ 8-014