

Air Booster Nozzles

For compressors

Cluster Header
3-Cluster Header

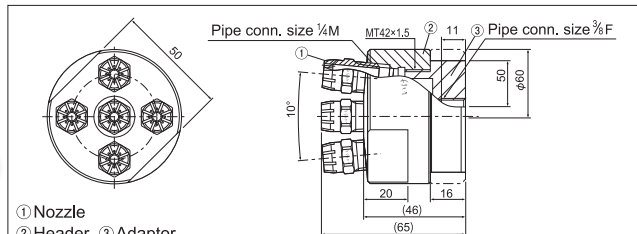
FEATURES

- Header with a cluster of multiple round-type stainless steel air nozzles.
- The unit is made of a cluster of nozzles. One cluster can be equipped with 4, 5, or 7 nozzles upon request.
- Also available is the multiple-nozzle triple cluster type, consisting of three clusters of multiple-nozzles in one unit, for application of stronger power.

Cluster header

▶ Header with a cluster of 5 round-type stainless steel air nozzles.

■ Dimensions



① Nozzle
② Header ③ Adaptor

- ① = 1/4M round-type stainless steel air nozzles
- Total air volume = Air volume for 1 pc. of round-type stainless steel air nozzle x the number of nozzles
- Available with 4 pcs., 5 pcs., or 7 pcs. of nozzles mounted
- Inquire with us for the light-weight type (header and adaptor made of aluminum A6061).

Sealing materials are used for assembly of some parts.

Triple cluster header

▶ Triple cluster header includes 3 clusters each equipped with 7 round-type stainless steel air nozzles.



For details, please inquire with us.

How to order

Please inquire or order for a specific nozzle using this coding system.

<Example> 3/8F TF-M5R 8-010 S303

3/8F TF-M5R 8-010 S303

Orifice diameter code*

■ 8-010 ■ 8-012 ■ 8-014 ■ 8-016

* For details of the orifice diameter code, please refer to round-type stainless steel air nozzles on page 8.

Air Blow Gun with TAIFUJet® Air duster gun unit



Materials:
[Nozzle] PP, PPS
[Gun] PPS, POM, etc.

Approx. air volume (when flow regulating valve is set Max.)

- Round type nozzle (TF-R-8-010)
: 180 L/min, Normal at 0.2 MPa air pressure
- Compact flat type nozzle (TF-F24-8-010)
: 170 L/min, Normal at 0.2 MPa air pressure
- Flat type nozzle (TF-F42-16-010)
: 340 L/min, Normal at 0.2 MPa air pressure

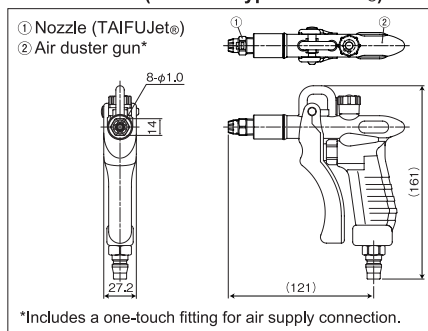
For compressors

FEATURES

- Easier handling with air duster gun.
- Three types available.
- Air capacity adjustability (as standard equipment)

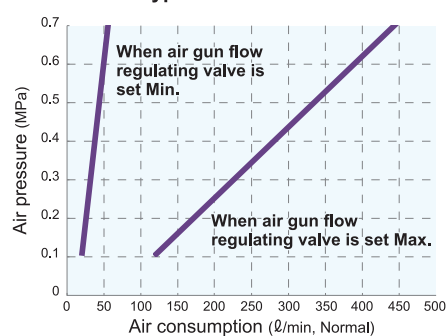
Air Blow Gun

■ Dimensions (w/ round-type TAIFUJet®)



*Includes a one-touch fitting for air supply connection.

[Round type nozzle + Gun]



How to order

Please inquire or order for a specific nozzle using these product codes.

Round type nozzle + Gun **1/4MTF-R-8-010PP-IN + Air duster TD-30H**

Compact flat type nozzle + Gun **1/8MTF-F24-8-010PPS-IN + Air duster TD-30H**

Flat type nozzle + Gun **1/4MTF-F42-16-010PPS + Air duster TD-30H**