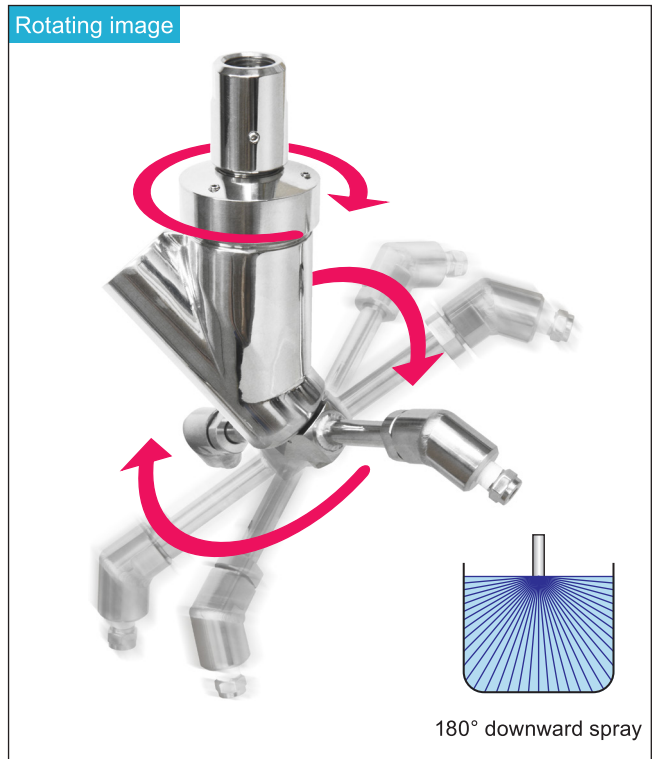
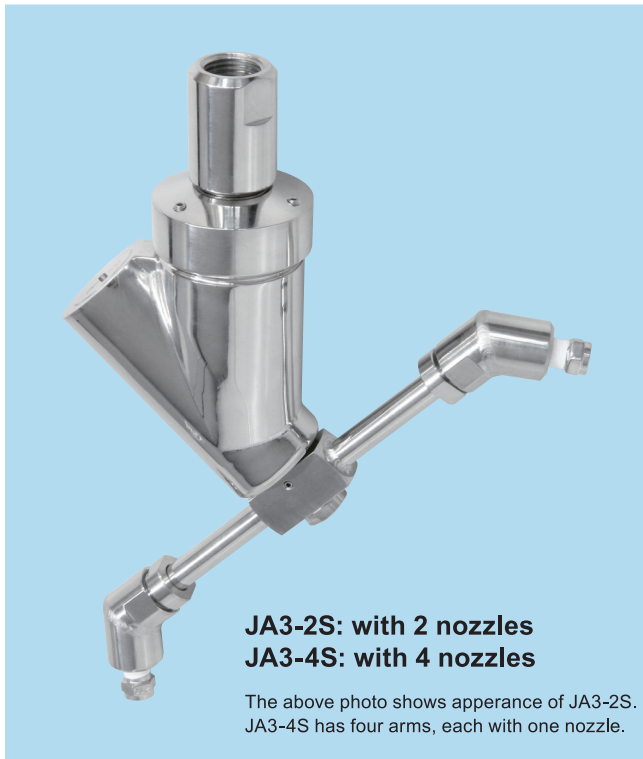


**Powerful cleaning
ideal for
open-topped tanks**

180° Downward 3D Rotating Nozzles

JET ATTACKER JA-3D/D180 series

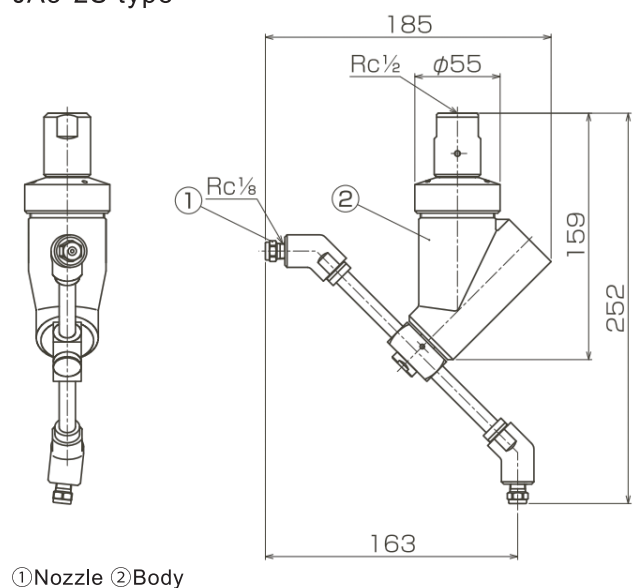


Features

- ▶ Spraying 180° downward is ideal for cleaning inside of open-topped tanks/containers.
- ▶ Applicable tank size is up to nine meters in diameter.
- ▶ 3-dimensional rotation of solid stream jets powerfully cleans entire inside of a tank.
- ▶ As rotation is driven solely by the spray reaction force, installation is easy and equipment costs can be cut.
- ▶ All supplied water is used as driving force and cleaning water. Minimal energy loss; no waste water.

Dimensions

JA3-2S type



Specifications

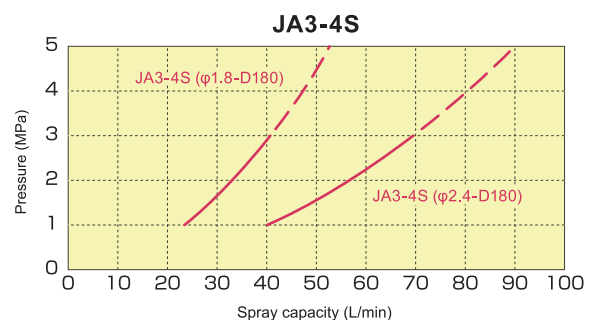
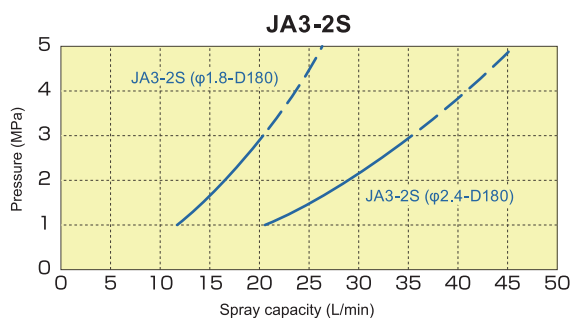
Model No.	JA3-2S (φXX-D180)*1	JA3-4S (φXX-D180)*1
Nozzle orifice diameter	φ1.8 or φ2.4 mm	
Number of nozzles equipped	2	4
Max. pressure	15.0 MPa	
Allowable temperature	4–60°C	
Recommended working pressure*2	1.0–3.0 MPa	
Spray capacity	12–36 L/min	24–70 L/min
Reach distance (diameter)	6–9 m	
Pipe connection size	Rc1/2	
Material	Main material: Stainless steel 304 (O-ring, seal, etc.: PTFE, NBR, and FKM)	
Surface finish	300# Buffing	
Drive system	Driven by spray reaction force	
Mass	1.9 kg	2.3 kg

*1) Nozzle orifice diameter is specified in place of XX (either 1.8 or 2.4).

*2) Inform us of operating pressure you apply, and we will preset its rotation speed to 30–60 rpm so that the products work at the applied pressure.

Flow-rate diagrams

- Spraying pressure and flow rate should be set according to your application and purpose.
- Two standard sizes of nozzle orifice diameters (1.8 or 2.4) are available both with 2-nozzle and 4-nozzle type.
- Recommended operating pressure is 3 MPa or lower (but not less than 1 MPa); operation at a higher pressure will increase the rotation speed too much and cause scattered spray.



How to order Please inquire or order for a specific nozzle using this coding system.

Example) 1/2F JA3 - 2 S (φ1.8 - D180) S304

2	φ1.8
Number of nozzle equipped	Nozzle orifice diameter
■ 2	■ φ1.8
■ 4	■ φ2.4

Specifications of the products and contents of this leaflet are subject to change without prior notice for purpose of product improvement.

Please feel free to send any inquiry, request for information or quote on this product to the contacts below.

"The Fog Engineers"
H. IKEUCHI & Co., LTD.

Headquarters Tel: 81-6-6538-4015
Fax: 81-6-6538-4022

Daiichi Kyogyo Bldg., 1-15-15, Awaza
Nishi-ku, Osaka 550-0011, Japan

E-mail: overseas@kirinoikeuchi.co.jp

URL: <https://www.kirinoikeuchi.co.jp/eng/>

IKEUCHI (SHANGHAI) CO., LTD.

Tel: 86-21-6140-9731 Fax: 86-21-6123-4239 mist@kirinoikeuchi.com <http://www.kirinoikeuchi.com/>
Tianjin Branch Tel: 86-22-2320-1676 Fax: 86-22-2320-1675
Shenzhen Branch Tel: 86-755-8525-2221 Fax: 86-755-8525-2215

IKEUCHI USA, INC.

Tel: 1-513-942-3060 Fax: 1-513-942-3064 info@ikeuchiusa.com <https://www.ikeuchi.us/>
Georgia Office Tel: 1-706-850-3332 Fax: 1-706-850-3309

IKEUCHI EUROPE B.V.

Tel: 31-20-820-2175 Fax: 31-20-820-2176 info@ikeuchieurope.com <https://www.ikeuchi.eu/>

IKEUCHI TAIWAN CO., LTD.

Tel: 886-2-2511-6289 Fax: 886-2-2541-6392 sales@ikeuchi.com.tw <http://www.ikeuchi.com.tw/>

PT. IKEUCHI INDONESIA

Tel: 62-21-2909-3246 Fax: 62-21-2909-3247 sales@ikeuchi.co.id <https://www.ikeuchi.id/>