

Easy to
insert into
tank

Low-pressure Rotating Cleaning Nozzles

ROTARY JETTER **RJ** series

RJ3-2-φ7
RJ3-2-φ8



RJ3-4-φ6



Features

- Low-pressure type rotating nozzle.
- Solid stream jet provides high cleaning performance.
- Highly heat and wear resistant. Lighter weight.
- Compact design and rotatable nozzle parts allow for easy insertion into and ejection from a tank with small inlet.
- RJ3-2 type has two nozzles and RJ3-4 type has four nozzles mounted.

Applications

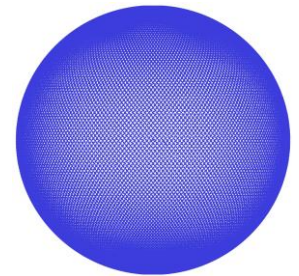
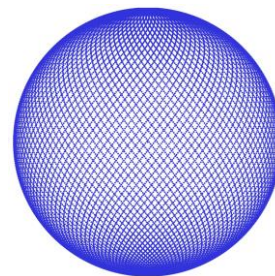
- Cleaning for food and beverage tanks
- Cleaning inside the chests (material tanks of papermaking), etc.

Cleaning trajectory

The whole cleaning surface can be cleaned uniformly without gaps.

RJ3-2 (with 2 nozzles)

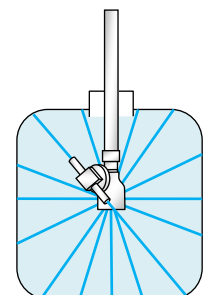
RJ3-4 (with 4 nozzles)



Specifications

Nozzle code	RJ3-2-φ7	RJ3-2-φ8	RJ3-4-φ6
Use pressure	0.3–0.8 MPa		
Spray capacity	103–169 L/min (at 0.3–0.8 MPa)	127–207 L/min (at 0.3–0.8 MPa)	146–239 L/min (at 0.3–0.8 MPa)
Reach distance	Approx. 10 m in radius		Approx. 9 m in radius
Heat resistance	80°C (176°F)		
Mass	2.7		2.8
Material	Stainless steel 304		

Spray pattern



Buff finishing is possible as an extra-cost option. Please contact us.



“The Fog Engineers”
H. IKEUCHI & Co., LTD.

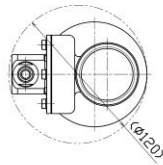
Dimensions

① Nozzle ② Body

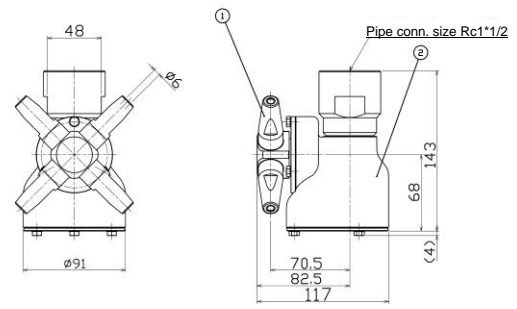
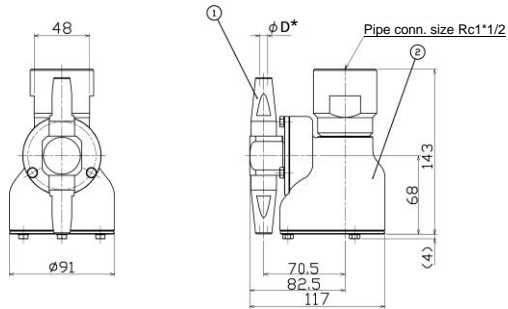
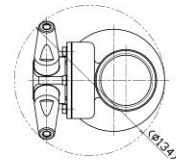
*Spray orifice diameter is shown in ϕD (either $\phi 7$ or $\phi 8$).

RJ3-2- $\phi 7$

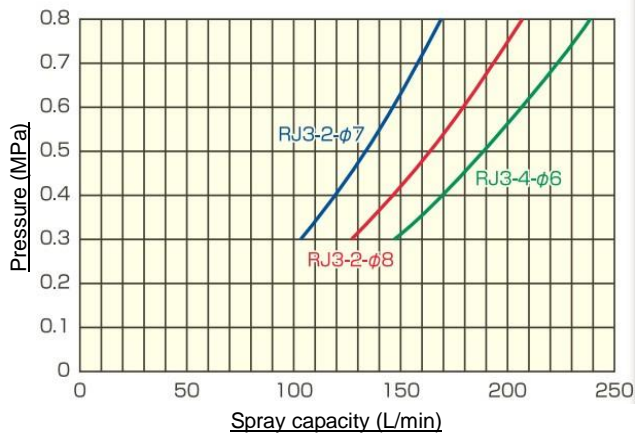
RJ3-2- $\phi 8$



RJ3-4- $\phi 6$

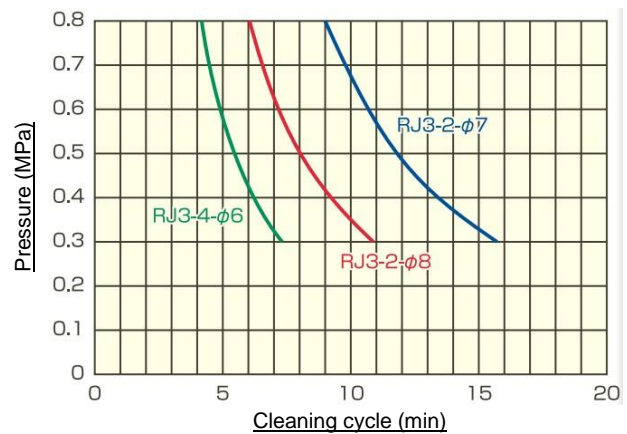


Flow-rate diagram



Relation between pressure & cleaning cycle

Cleaning cycle changes depending on the pressures as below.



The above cleaning cycles are for reference only.

How to order

Please inquire or order for a specific nozzle using this coding system.

RJ with 2 nozzles

RJ3 - 2 - $\phi 7$

Spray orifice diameter

■ $\phi 7$

■ $\phi 8$

RJ with 4 nozzles

RJ3 - 4 - $\phi 6$

Specifications of the products and contents of this leaflet are subject to change without prior notice for purpose of product improvement.

Please feel free to send any inquiry, request for information or quote on this product to the contacts below.

"The Fog Engineers"
いけうち H. IKEUCHI & Co., LTD.

Headquarters

Daiichi Kyogyo Bldg., 1-15-15, Awaza, Nishi-ku, Osaka 550-0011, Japan
Tel: 81-6-6538-4015 Fax: 81-6-6538-4022
Email: overseas@kirinoikeuchi.co.jp
URL: <https://www.kirinoikeuchi.co.jp/eng/>

We have our branches and affiliate companies around the world—in China, USA, The Netherlands, Turkey, Thailand, Indonesia, UAE, and more. Please see our website for the nearest contact.

<https://www.kirinoikeuchi.co.jp/eng/company/location/>