





# Portable Spray Unit with SETOV Nozzle Assembly

**SETOV**  
Related product



- Spray unit including a SETOV series nozzle and large-capacity 20 liter tank. Spray unit without a tank is also available.
- Immediate use with an air compressor. Recommended air pressure is 0.3 MPa (use pressure range: 0.2–0.5 MPa).
- Available in two spray capacity types (nozzle SETOV0406 or SETOV0508).
- Nozzle is clog-resistant for easy maintenance.



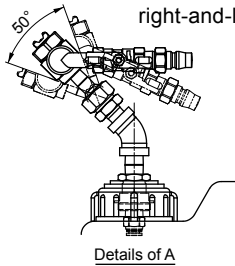
Spray direction is adjustable with a ball-joint adaptor

### APPLICATIONS

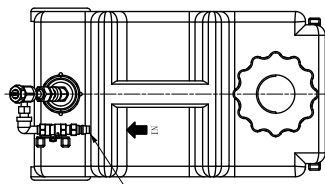
- Disinfection at a facility entrance
- Disinfecting interior surfaces  
(Note: After spraying chemicals, spray water for about 5 minutes to mitigate corrosion and rust of the metal parts.)

### DRAWING

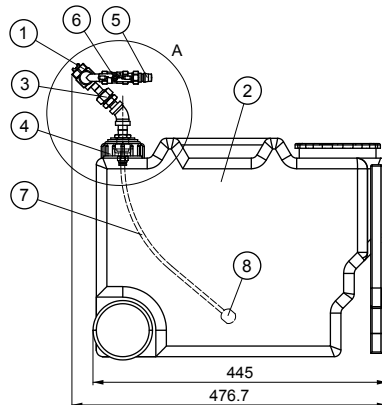
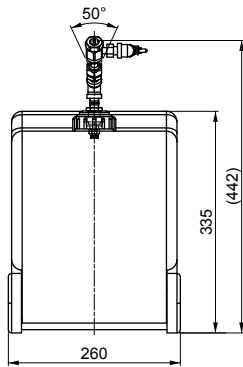
Spray direction adjustable within 50° (Up-and-down, right-and-left)



Details of A



Air inlet  
1/4 coupler connection (plastic joint)



### Spray flow rate by nozzle type

SETOV0406: Approx. 1.8–2.2 L/hr (at air pressure of 0.3 MPa)

SETOV0508: Approx. 2.8–3.3 L/hr (at air pressure of 0.3 MPa)

Note: Spray flow rate varies depending on the liquid level in a tank.

### COMPONENTS AND MATERIALS

No.	Components	Standard materials
1	Nozzle body	S303
2	20L plastic tank	PE
3	UT Ball joint	S303, FKM
4	Cap	PE
5	Plastic joint	PA
6	Valve	S316
7	700 mm water hose	PVC
8	Strainer (air stone)	—

This unit does not include a compressor or disinfectant.

Unit: mm

**HOW TO ORDER** Please inquire or order for a specific product using these product codes.

Spray Unit SETOV0406 S303+TS303+UT (with 20L Tank)

Spray Unit SETOV0508 S303+TS303+UT (with 20L Tank)

### Optional Product

#### SETOV Smart Kit

- An application example combining the spray unit with a 100 VAC timer controller and a mat switch for a short-time auto-spray. Stepping on a mat switch automatically activates spraying for a preset time.

