

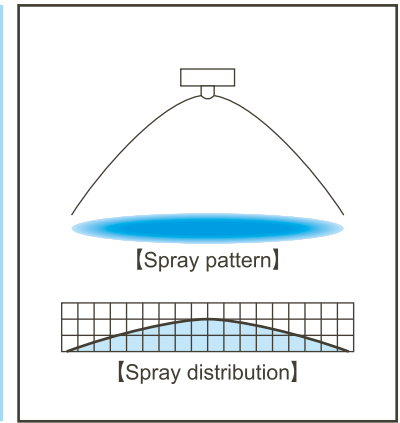
Ultra-Low Pressure Flat Spray Fine Fog Nozzles

BAVV

Features

- Flat spray pneumatic nozzle producing fine atomization with a mean droplet diameter of 40 μm or more.*1
- Energy-saving for blower-use. Low running cost.
- Large free passage diameter.

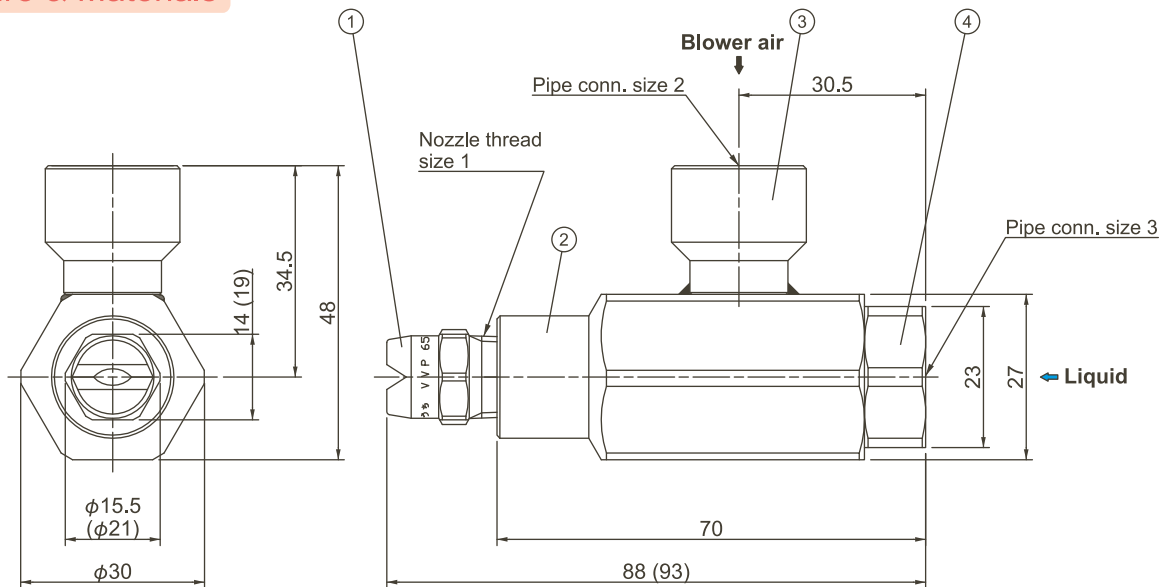
*1) Droplet diameter measured by laser Doppler method



Applications

- Cleaning: Liquid crystal, glass substrate, printed circuit boards
- Cooling: Steel plates
- Dust suppression: Raw material conveyor line
- Moisture control: Paper making

Structure & Materials



Note:

- Dimensions in () shows those for the model BAVV6060S303.
- Appearance and dimensions may differ depending on nozzle codes and materials.

Components and materials

No.	Components	Standard materials
①	Nozzle	S303
②	Mixing adaptor	S304
③	Air Socket	S304
④	Liquid socket	S303

Dimensions & Pipe Connection Sizes

Spray angle code*2	Spray capacity code	Nozzle thread size 1	Pipe connection sizes 2 & 3		Air pressure (MPa)	Spray capacity (ℓ/hr) & Air consumption (ℓ/min, Normal)						Free passage diameter (mm)			Mass (g)
						Liquid pressure (MPa)						Adaptor			
						0.02		0.03		0.04		Spray orifice	Adaptor		
Liquid	Air	Liquid	Air	Liquid	Air	Liquid	Air								
60	10	R1/4	Rc3/8	Rc1/4	0.02	9.0	92	21.0	78	31.2	76	2.5	1.4	3.0	270
	30	R1/4				27.6	168	48.0	150	64.8	136	3.6	2.0		270
	60	R3/8				57.6	254	94.2	220	123	190	4.7	2.6		280

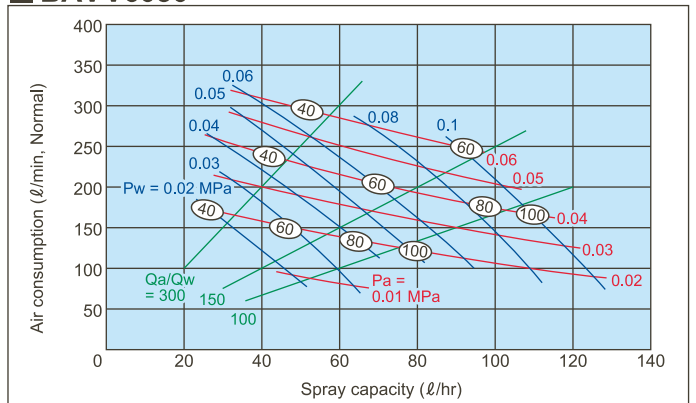
*2) Spray angle measured at both air and liquid pressure of 0.02 MPa

Flow-rate Diagrams

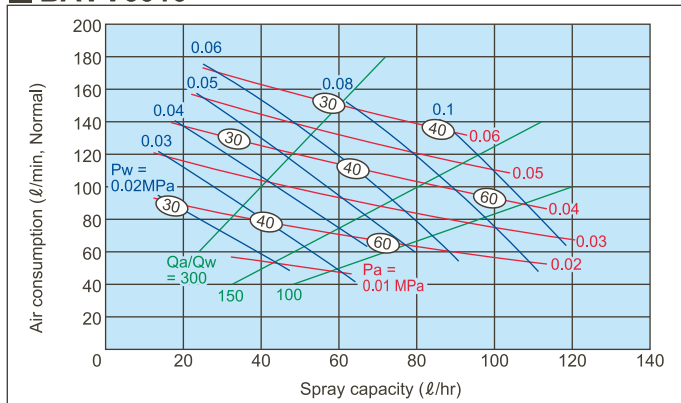
■ How to read the chart

- ① The spray capacity shown is for one nozzle.
- ② **Red lines** (—) represent (blower) air pressures P_a in MPa.
Blue lines (—) represent liquid pressures P_w in MPa.
Green lines (—) represent air-water ratio Q_a/Q_w .
- ③ Figures in ovals ○ indicate Sauter mean droplet diameters (μm) measured by laser Doppler method.

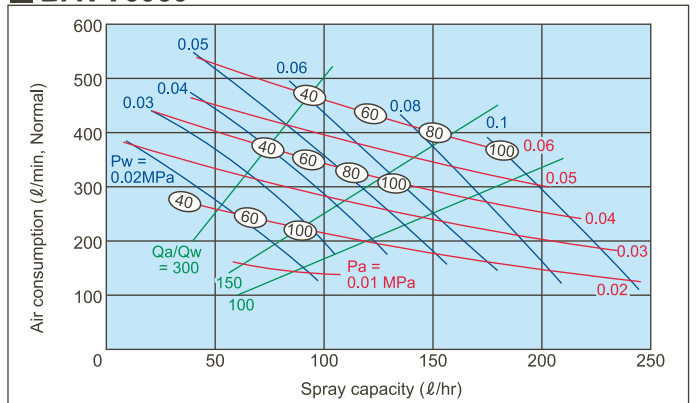
■ **BAVV6030**



■ **BAVV6010**



■ **BAVV6060**



How to order

Please inquire or order for a specific nozzle using this coding system.

<Example> BAVV 6010 S303

BAVV 60 10 S303

Spray capacity code

- 10
- 30
- 60