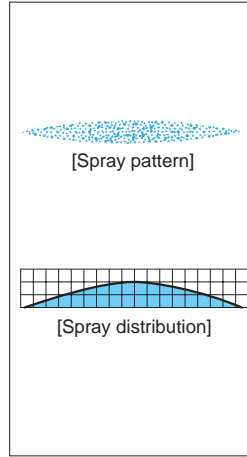


Coin-shaped Standard Flat Spray Nozzles

Made-to-Order

CVVP



- Flat spray pattern with a mountain-shaped spray distribution and gradually tapered edges.
- Shaped like a thin coin, this nozzle mounts flush with the pipe surface, making it ideal for applications where nozzle projection needs to be minimal, such as tight spaces.

[STANDARD PRESSURE]

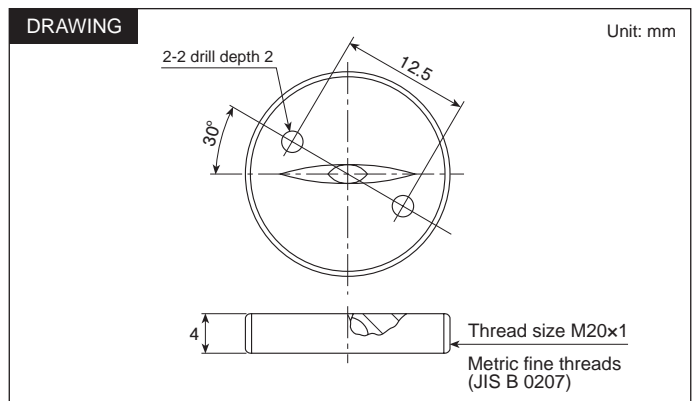
0.3 MPa

[APPLICATIONS]

Cleaning: Felts, rolls, screens, filters, wires
 Spraying: Lubricants, chemicals
 Cooling: Steel plates and coils

Structure	• One-piece structure with threaded outside edge.
Material	• S303
Weight	• 8.5 g

[Note] Appearance and dimensions may differ slightly depending on material and nozzle code.



Spray angle code	Spray capacity code	Spray angle (°)			Spray capacity (L/min)											Mean droplet dia. (µm)	Free passage dia. (mm)
		0.15 MPa	0.3 MPa	0.7 MPa	0.05 MPa	0.07 MPa	0.1 MPa	0.15 MPa	0.2 MPa	0.3 MPa	0.5 MPa	0.7 MPa	1 MPa	1.5 MPa	2 MPa		
90	10	78	90	99	0.41	0.48	0.58	0.71	0.82	1.00	1.29	1.53	1.83	2.24	2.58	210	0.5
	15	79	90	98	0.61	0.72	0.87	1.06	1.23	1.50	1.94	2.29	2.74	3.36	3.87		0.6
	20	80	90	97	0.82	0.97	1.15	1.41	1.63	2.00	2.58	3.06	3.65	4.47	5.16		0.7
	30	82	90	96	1.23	1.45	1.73	2.12	2.45	3.00	3.88	4.58	5.48	6.71	7.75		0.9
	40	83	90	97	1.63	1.93	2.31	2.83	3.27	4.00	5.16	6.11	7.30	8.94	10.3	}	1.1
	50	83	90	97	2.04	2.42	2.89	3.54	4.08	5.00	6.46	7.64	9.13	11.2	12.9		1.2
	60	83	90	97	2.45	2.90	3.46	4.24	4.90	6.00	7.75	9.17	11.0	13.4	15.5		1.3
	80	84	90	97	3.27	3.86	4.62	5.66	6.53	8.00	10.3	12.2	14.6	17.9	20.6		420
80	10	69	80	87	0.41	0.48	0.58	0.71	0.82	1.00	1.29	1.53	1.83	2.24	2.58	210	0.5
	15	70	80	86	0.61	0.72	0.87	1.06	1.23	1.50	1.94	2.29	2.74	3.36	3.87		0.7
	20	71	80	86	0.82	0.97	1.15	1.41	1.63	2.00	2.58	3.06	3.65	4.47	5.16		0.8
	30	72	80	84	1.23	1.45	1.73	2.12	2.45	3.00	3.88	4.58	5.48	6.71	7.75		1.0
	40	74	80	83	1.63	1.93	2.31	2.83	3.27	4.00	5.16	6.11	7.30	8.94	10.3	}	1.2
	50	74	80	83	2.04	2.42	2.89	3.54	4.08	5.00	6.46	7.64	9.13	11.2	12.9		1.4
	60	74	80	83	2.45	2.90	3.46	4.24	4.90	6.00	7.75	9.17	11.0	13.4	15.5		1.5
	80	74	80	83	3.27	3.86	4.62	5.66	6.53	8.00	10.3	12.2	14.6	17.9	20.6		430
65	10	53	65	72	0.41	0.48	0.58	0.71	0.82	1.00	1.29	1.53	1.83	2.24	2.58	230	0.6
	15	53	65	72	0.61	0.72	0.87	1.06	1.23	1.50	1.94	2.29	2.74	3.36	3.87		0.8
	20	54	65	72	0.82	0.97	1.15	1.41	1.63	2.00	2.58	3.06	3.65	4.47	5.16		0.9
	30	55	65	72	1.23	1.45	1.73	2.12	2.45	3.00	3.88	4.58	5.48	6.71	7.75		1.1
	40	57	65	72	1.63	1.93	2.31	2.83	3.27	4.00	5.16	6.11	7.30	8.94	10.3	}	1.3
	50	58	65	72	2.04	2.42	2.89	3.54	4.08	5.00	6.46	7.64	9.13	11.2	12.9		1.5
	60	59	65	72	2.45	2.90	3.46	4.24	4.90	6.00	7.75	9.17	11.0	13.4	15.5		1.6
	80	62	65	72	3.27	3.86	4.62	5.66	6.53	8.00	10.3	12.2	14.6	17.9	20.6		450

HOW TO ORDER

To inquire about or order a specific nozzle please refer to this coding system.

Example: M20x1 CVVP 9010 S303

M20x1	CVVP	90	10	S303
Pipe conn. size		Spray angle code	Spray capacity code	Material
		■ 90	■ 10	
		■ 80	}	
		■ 65	■ 80	

This nozzle series is made-to-order.