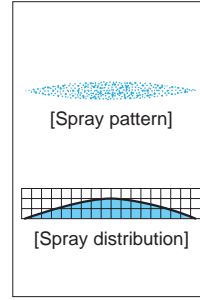


Universal-jointed Flat Spray Nozzles

UT+VP

Flat Spray



- Flat spray pattern with a mountain-shaped spray distribution and gradually tapered edges.
- Spray direction is adjustable over a range of 40 degrees as desired.

[STANDARD PRESSURE]
0.3 MPa

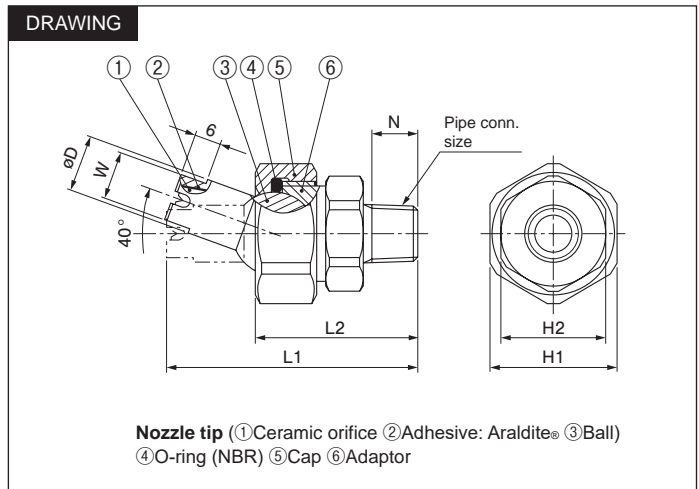
[APPLICATIONS]

Cleaning: Automotives, containers, films, felts, filters, screens, bottles, crushed stone, earth and sand, metal parts, machines, steel plates, steel pieces
 Spraying: Oils, lubricants, liquids, solutions, insecticides, herbicides

Structure	<ul style="list-style-type: none"> • Has a ceramic orifice in the nozzle tip. • Includes three parts: Nozzle tip, cap, and adaptor. • Worn-out nozzle tips can be replaced separately. • Nozzle tip has an integrated universal ball joint to adjust the spray direction.
Material	<ul style="list-style-type: none"> • Nozzle orifice: ceramic • Metal parts: S303

Pipe conn. size	Dimensions (mm)							Weight (g)
	L1	L2	H1	H2	W	øD	N	
R1/4	57.5	37	29	24	11	13	10.5	120
R3/8	63.5	44	35	30	14	17	11	200

[Note] Appearance and dimensions may differ slightly depending on material and nozzle code.



Spray angle code	Spray capacity code	Pipe conn. size		Spray angle (°)			Spray capacity (L/min)								Free passage diameter (mm)
		R1/4	R3/8	0.15 MPa	0.3 MPa	0.7 MPa	0.1 MPa	0.15 MPa	0.2 MPa	0.3 MPa	0.5 MPa	0.7 MPa	1 MPa	2 MPa	
80	30	○		70	80	87	1.73	2.12	2.45	3.00	3.88	4.58	5.48	7.75	1.0
	50	○		71	80	86	2.89	3.54	4.08	5.00	6.46	7.64	9.13	12.9	1.4
	80	○		72	80	86	4.62	5.66	6.53	8.00	10.3	12.2	14.6	20.6	1.7
	100		○	72	80	85	5.77	7.07	8.17	10.0	12.9	15.3	18.3	25.8	2.0
	140		○	73	80	85	8.08	9.90	11.4	14.0	18.1	21.4	25.6	36.1	2.5
65	30	○		56	65	72	1.73	2.12	2.45	3.00	3.88	4.58	5.48	7.75	1.1
	50	○		57	65	71	2.89	3.54	4.08	5.00	6.46	7.64	9.13	12.9	1.5
	80	○		58	65	71	4.62	5.66	6.53	8.00	10.3	12.2	14.6	20.6	1.9
	100		○	58	65	70	5.77	7.07	8.17	10.0	12.9	15.3	18.3	25.8	2.1
	140		○	59	65	69	8.08	9.90	11.4	14.0	18.1	21.4	25.6	36.1	2.5
50	30	○		42	50	56	1.73	2.12	2.45	3.00	3.88	4.58	5.48	7.75	1.2
	50	○		43	50	55	2.89	3.54	4.08	5.00	6.46	7.64	9.13	12.9	1.6
	80	○		43	50	55	4.62	5.66	6.53	8.00	10.3	12.2	14.6	20.6	2.0
	100		○	44	50	54	5.77	7.07	8.17	10.0	12.9	15.3	18.3	25.8	2.2
	140		○	44	50	54	8.08	9.90	11.4	14.0	18.1	21.4	25.6	36.1	2.7
	170		○	45	50	54	9.82	12.0	13.9	17.0	22.0	26.0	31.1	43.9	3.0

[Note] 1. For spray droplet diameter, please see the chart of VP series nozzles on page 10.
 2. The spray nozzle performance for this nozzle is NOT guaranteed because it is set at an angle.

HOW TO ORDER

To inquire about or order a specific nozzle please refer to this coding system.

Example: 1/4M UT+VP 8030 S303

1/4M	UT+VP	80	30	S303
Pipe conn. size*		Spray angle code	Spray capacity code	Material
■ 1/4M		■ 80	■ 30	
■ 3/8M		■ 65	■ 5	
		■ 50	■ 170	

Please contact us to order only the nozzle tip.

*"M" indicates male thread ("R" of the ISO standard), e.g. 1/4M = R1/4.

ALSO AVAILABLE!

Universal-jointed
Solid Stream Jet

UT+CP
SERIES

See page 102 of this catalog.