

NOTICE

This product has been discontinued.

IKEUCHI appreciates and values our business relationship and looks forward to your continued interest in our products.

Please contact your local sales representative with any questions.



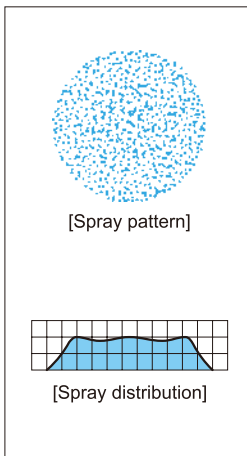
“The Fog Engineers”
H. IKEUCHI & CO., LTD.

<https://www.kirinoikeuchi.co.jp/eng/contact/>

Standard Type Full Cone Spray Nozzles

JJXP-PP

Full Cone



[Features]

- Full cone spray pattern with a round impact area and uniform distribution.
- X-shaped whirler provides large free passage diameter, minimizing clogging.

[Standard pressure]

0.2 MPa

[Applications]

Cleaning: Machinery, screens, tanks, crushed stones, earth and sand

Cooling: Machinery, tanks

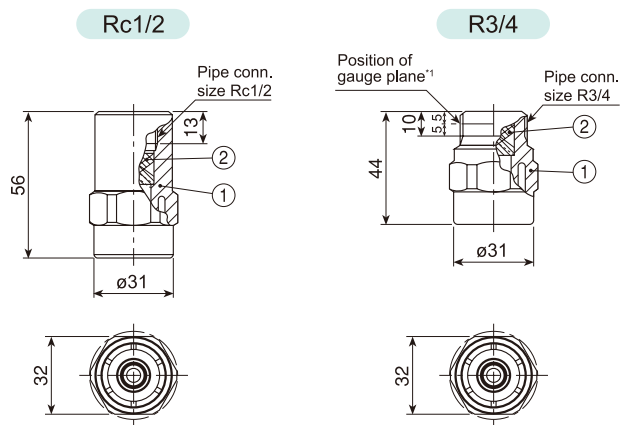
Spraying: Waste water treatment, aeration, foam breaking, dust suppression, etching, chemicals

JJXP-PP series

JJXP-PP series	
Structure	• One-piece structure with a press-fit X-shaped whirler.
Material	• PP
Mass	• Rc1/2: 25.3 g • R3/4: 17.9 g

*1) Please note that the position of standard diameter for male thread type has been changed.

[Note] Appearance and dimensions may differ slightly depending on materials and nozzle codes.



① Nozzle body ② Whirler

■ JJXP-PP series

Spray capacity code 2*100/	Pipe conn. size		Spray angle (°)			Spray capacity (ℓ/min)									Mean droplet diameter (μm)	Free passage diameter (mm)
	Rc1/2	R3/4	0.05 MPa	0.2 MPa	0.5 MPa	0.03 MPa	0.05 MPa	0.1 MPa	0.15 MPa	0.2 MPa	0.3 MPa	0.5 MPa	0.7 MPa	1 MPa		
12	○	○	96	100	92	5.03	6.35	8.73	10.5	12.0	14.2	17.4	20.0	23.1	570	3.1
13	○	○	96	100	92	5.44	6.88	9.46	11.4	13.0	15.3	18.9	21.7	25.1		3.1
14	○	○	96	100	92	5.86	7.41	10.2	12.3	14.0	16.5	20.3	23.3	27.0	}	3.5
15	○	○	96	100	92	6.28	7.94	10.9	13.1	15.0	17.7	21.8	25.0	28.9		3.5
16	○	○	96	100	92	6.70	8.47	11.6	14.0	16.0	18.9	23.3	26.7	30.9	}	3.5
18	○	○	96	100	92	7.54	9.53	13.1	15.8	18.0	21.2	26.2	30.0	34.7		3.5
20	○	○	96	100	92	8.38	10.6	14.6	17.5	20.0	23.6	29.1	33.4	38.6	740	3.5

Full Cone

How to order

Please inquire or order for a specific nozzle using this coding system.

① JJXP-PP series

〈Example〉 1/2F JJXP 2*100/14 PP

1/2F JJXP 2*100/ 14 PP

Pipe conn. size*2	Spray capacity code
1/2F	12
3/4M	}
	20

*2) "M" indicates male thread ("R" of the ISO standard) and "F" indicates female thread ("Rc" of the ISO standard), e.g. 1/8M = R1/8.