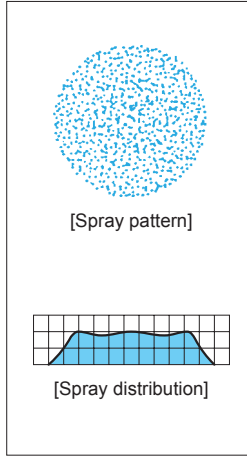


Low Flow Rate Full Cone Spray Nozzles

JJRP

Full Cone



- Low flow rate full cone spray nozzles made of excellent wear-resistant PTFE or injection molded PVDF.
- Disc whirler is designed to provide uniform spray distribution at small spray capacity.

[STANDARD PRESSURE]
0.2 MPa

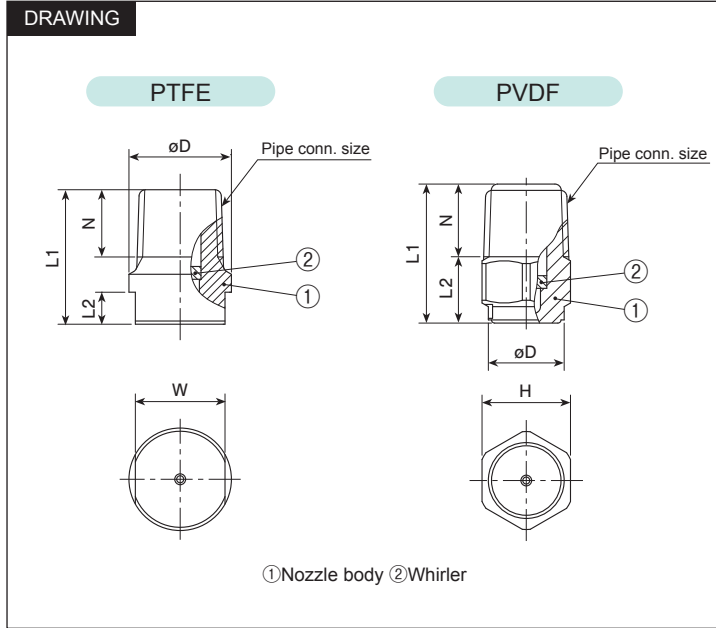
[APPLICATIONS]
Spraying: Etchants, acid liquids
Cleaning with pure water

Structure	• One-piece structure with a press-fitted disc whirler.
Material	• PTFE or PVDF

Material	Pipe conn. size	Dimensions (mm)						Weight (g)
		L1	L2	H	W	øD	N	
PTFE	R1/8	16	4	—	10	12	7	2
	R1/4	21	5	—	14	16	10.5	6 ¹⁾
PVDF	R1/8	18	10	12	—	11	8	2
	R1/4	22	10.5	14	—	12	11.5	4.1

*1) JJRP with spray capacity code 040–060 weigh 5g.

[Note] Appearance and dimensions may differ slightly depending on material and nozzle code.



Spray capacity code	Pipe connection size				Spray angle (°)			Spray capacity (L/min)							Mean drop. dia. (µm)	Free pass. dia. (mm)	
	PTFE		PVDF														
	R1/8	R1/4	R1/8	R1/4	0.15 MPa	0.2 MPa	0.5 MPa	0.05 MPa	0.1 MPa	0.15 MPa	0.2 MPa	0.3 MPa	0.5 MPa	0.7 MPa			1 MPa
005	○	○	○	○	56	60	60	—	0.36	0.44	0.50	0.59	0.74	0.85	0.99	260	0.4
007	○	○	○	○	60	65	62	—	0.51	0.61	0.70	0.83	1.03	1.19	1.39	—	0.6
010	○	○	○	○	63	65	62	—	0.73	0.88	1.00	1.19	1.48	1.70	1.98	—	0.8
015	○	○	○	○	64	70	72	0.79	1.09	1.31	1.50	1.78	2.22	2.56	2.98	∩	1.0
020	○	○	○	○	64	70	72	1.06	1.45	1.75	2.00	2.38	2.95	3.41	3.97	—	1.2
030	○	○	○	○	75	80	78	1.58	2.18	2.63	3.00	3.56	4.43	5.11	5.95	410	1.3
040	○	○	○	○	67	70	65	2.11	2.91	3.50	4.00	4.75	5.91	6.82	7.93	380	1.4
050	○	○	○	○	76	80	70	2.64	3.63	4.38	5.00	5.94	7.38	8.52	9.92	∩	1.6
060	○	○	○	○	88	90	80	3.17	4.36	5.26	6.00	7.13	8.86	10.2	11.9	520	1.6

HOW TO ORDER

To inquire about or order a specific nozzle please refer to this coding system.

JJRP-PTFE

Example: 1/8M JJRP 005 PTFE

1/8M	JJRP	005	PTFE
Pipe conn. size ²⁾		Spray capacity code	Material
1/8M		005	
1/4M		∩	
		060	

JJRP-PVDF

Example: 1/8M JJRP 007 PVDF

1/8M	JJRP	007	PVDF
Pipe conn. size ²⁾		Spray capacity code	Material
1/8M		005	
1/4M		007	

*2) "M" indicates male thread ("R" of the ISO standard), e.g. 1/8M = R1/8.