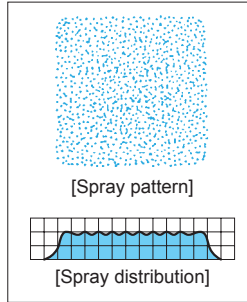


Square Spray Nozzles

Some Models are Made-to-Order

SSXP SSXP-HTPVC

Full Cone



- Square full cone spray pattern with uniform distribution.
- Wide spray angle of 90–100° provides large spray coverage.
- Square full cone spray pattern leaves no gaps in multi-nozzle arrangements.
- X-shaped whirler provides a large free passage diameter, minimizing clogging.

[STANDARD PRESSURE]

SSXP (metal): 0.2 MPa
SSXP-HTPVC: 0.15 MPa

[APPLICATIONS]

Cleaning: Gas, incinerator fumes, machinery, eliminators, screen, tanks, crushed stone, earth and sand
Cooling: Gas, machinery, tanks, steel
Spraying: Waste water treatment, foam breaking, fire extinguishing, dust suppression

SSXP SERIES

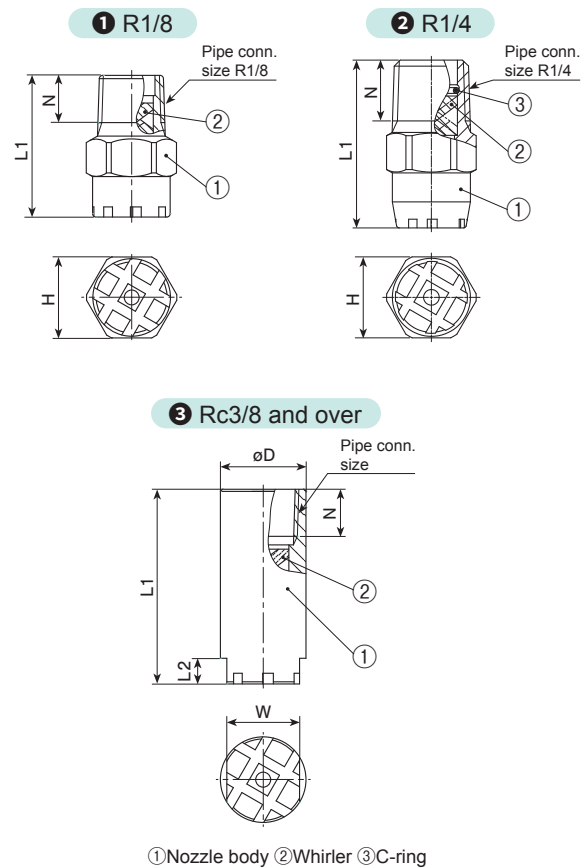
(Sizes Rc1 1/2 or larger: Made-to-Order)

Structure	<ul style="list-style-type: none"> • One-piece structure with a press-fitted X-shaped whirler. Size R1/4 standard models include a C-ring.
Material	<ul style="list-style-type: none"> • Sizes R1/8–Rc1: S303 • Sizes Rc1 1/2 or larger: S316 (SCS14) <p>SPECIAL ORDER MATERIAL: S316L (SCS16)</p>

DWG No.	Pipe conn. size	Dimensions (mm)						Weight (g)
		L1	L2	H	W	øD	N	
1	R1/8	21	–	12	–	–	7	11.5
2	R1/4	29	–	14	–	–	10.5	20
3	Rc3/8	45.5	6	–	17	20	11	70
	Rc1/2	56	8	–	22	25	14	150
	Rc3/4	73	10	–	27	32	15	300
	Rc1	94	14	–	34	40	17	575
	Rc1 1/2	131	20	–	50	58	19	1,690
	Rc2	168	24	–	60	70	23	2,910
	Rc2 1/2	199	27	–	80	90	27	5,860
	Rc3	220	30	–	90	105	30	9,420

[Note] Appearance and dimensions may differ slightly depending on material and nozzle code.

DRAWING



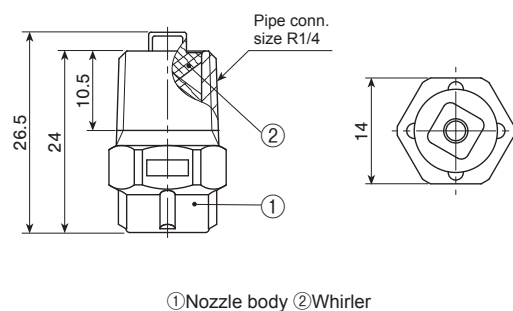
SSXP-HTPVC

Structure	<ul style="list-style-type: none"> • One-piece structure with an X-shaped whirler.
Material	<ul style="list-style-type: none"> • HTPVC
Weight	<ul style="list-style-type: none"> • 3.1 g

[Note] Appearance and dimensions may differ slightly depending on material and nozzle code.

DRAWING

Unit: mm



■ SSXP Series (metal)

Spray capacity code	Pipe conn. size		Spray angle (°)			Spray capacity (L/min)									Mean droplet diameter (µm)	Free passage diameter (mm)
	R1/8	R1/4	0.05 MPa	0.2 MPa	0.5 MPa	0.03 MPa	0.05 MPa	0.1 MPa	0.15 MPa	0.2 MPa	0.3 MPa	0.5 MPa	0.7 MPa	1 MPa		
020	○		86	90	81	—	1.06	1.46	1.75	2.00	2.36	2.91	3.34	3.86	330	0.9
030	○		86	90	81	—	1.59	2.18	2.63	3.00	3.54	4.36	5.00	5.79	380	1.2
040		○	90	95	85	—	2.12	2.91	3.51	4.00	4.72	5.81	6.67	7.72	360	1.3
050		○	91	95	86	—	2.65	3.64	4.38	5.00	5.90	7.27	8.34	9.64	?	1.7
060		○	91	95	86	2.51	3.18	4.37	5.26	6.00	7.08	8.72	10.0	11.6	490	1.7

Spray capacity code	Pipe connection size ¹									Spray angle (°)			Spray capacity (L/min)							Mean drop. dia. (µm)	Free pass. dia. (mm)	
	Rc 3/8	Rc 1/2	Rc 3/4	Rc 1	Rc 1 1/2	Rc 2	Rc 2 1/2	Rc 3	0.05 MPa	0.2 MPa	0.5 MPa	0.03 MPa	0.05 MPa	0.1 MPa	0.15 MPa	0.2 MPa	0.3 MPa	0.5 MPa	0.7 MPa			1 MPa
070	○								94	100	89	2.93	3.71	5.09	6.14	7.00	8.26	10.2	11.7	13.5	440	2.0
080	○								95	100	90	3.35	4.24	5.82	7.01	8.00	9.44	11.6	13.3	15.4	?	2.0
10	○								96	100	91	4.19	5.29	7.28	8.77	10.0	11.8	14.5	16.7	19.3	?	2.6
12	○								97	100	92	5.03	6.35	8.73	10.5	12.0	14.2	17.4	20.0	23.1	630	2.6
16		○							95	100	90	6.70	8.47	11.6	14.0	16.0	18.9	23.3	26.7	30.9	?	2.8
20		○							96	100	91	8.36	10.6	14.6	17.5	20.0	23.6	29.1	33.4	38.6	710	3.5
30			○						96	100	91	12.6	15.9	21.8	26.3	30.0	35.4	43.6	50.0	57.9	?	3.8
40			○						97	100	92	16.8	21.2	29.1	35.1	40.0	47.2	58.1	66.7	77.2	?	4.8
50				○					95	100	90	20.9	26.5	36.4	43.8	50.0	59.0	72.7	83.4	96.4	750	5.4
60				○					96	100	91	25.1	31.8	43.7	52.6	60.0	70.8	87.2	100	115	?	5.4
80				○					97	100	92	33.5	42.4	58.2	70.1	80.0	94.4	115	135	155	1,000	6.0
100					○				96	100	91	41.9	52.9	72.8	87.7	100	120	145	170	195	?	7.1
150					○				97	100	92	62.8	79.4	110	130	150	180	220	250	290	?	10.2
300						○			97	100	92	125	160	220	265	300	355	435	500	580	1,350	12.7
500							○		97	100	92	210	265	365	440	500	590	730	835	965	1,500	16.8
700								○	97	100	92	290	370	510	615	700	826	1,020	1,170	1,350	1,700	19.6

*1) The SSXP series with thread size Rc1 1/2 and larger are made-to-order.

■ SSXP-HTPVC [1/4M SSXP 1.5*65/4.5 HTPVC]

Spray angle (°)			Spray capacity (L/min)								Mean droplet diameter (µm)	Free passage diameter (mm)
0.05 MPa	0.15 MPa	0.5 MPa	0.05 MPa	0.1 MPa	0.15 MPa	0.2 MPa	0.3 MPa	0.5 MPa	0.7 MPa	1 MPa		
56	65	65	2.72	3.74	4.50	5.14	6.06	7.46	8.56	9.90	450	2.2

HOW TO ORDER

To inquire about or order a specific nozzle please refer to this coding system.

SSXP (metal)

Example: 1/8M SSXP 020 S303

1/8M	SSXP	020	S303
Pipe conn. size ²		Spray capacity code	Material ³
1/8M		020	S303
?		?	S316
3F		700	

SSXP-HTPVC

1/4M SSXP 1.5*65/4.5 HTPVC

Pipe conn. size ²	Spray angle & capacity code	Material
------------------------------	-----------------------------	----------

The SSXP series with thread size Rc1 1/2 and larger are made-to-order.

*2) "M" indicates male thread ("R" of the ISO standard) and "F" indicates female thread ("Rc" of the ISO standard), e.g. 1/8M = R1/8.

*3) See "Material" information on page 81 for standard material (S303 or S316) for each size.