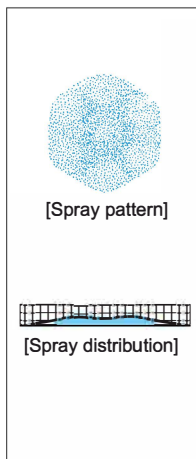
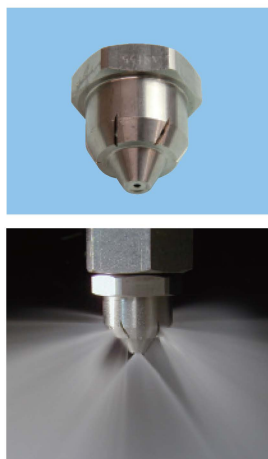
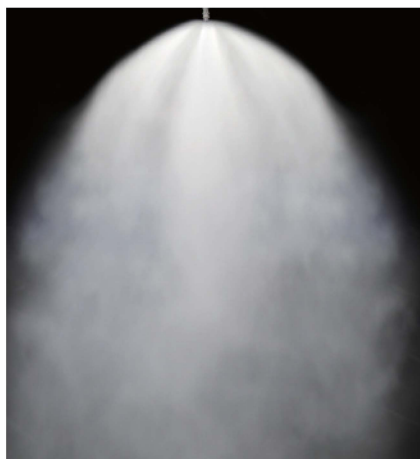


Multiple-orifice Semi-fine Fog Nozzles for Fire Extinguishing

TSP

Full Cone



[Features]

- With an ultra-wide spray angle produced from multiple nozzle orifices, a single TSP nozzle provides a large spray coverage from 2.8 m up to 4 m.
- Produces semi-fine atomization with a mean droplet diameter of 100–200 μm .
- Compact design.

[Standard pressure]

5 MPa

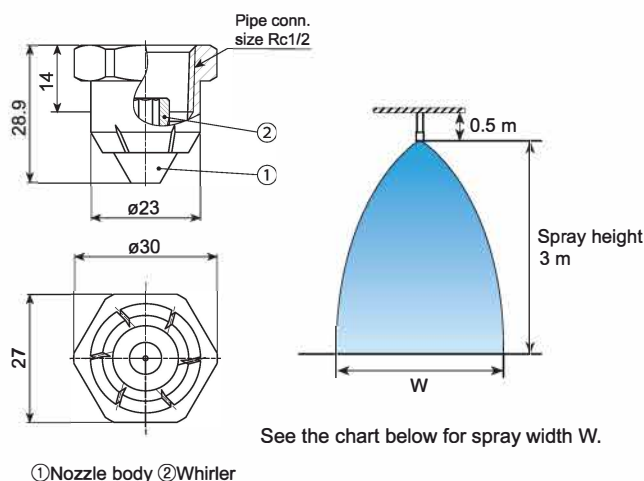
[Applications]

Fire extinguishing, dust suppression, spraying, tank cleaning

TSP series

TSP series	
Structure	<ul style="list-style-type: none"> • Produces a hollow cone spray pattern from the tip of the nozzle and flat spray patterns from the side slits of the nozzle, resulting in a nearly round impact area at a spray height of 2–3 m.
Material	<ul style="list-style-type: none"> • Nozzle body: S303 • Whirler: S316L equivalent
Mass	<ul style="list-style-type: none"> • 45 g

[Note] Appearance and dimensions may differ slightly depending on materials and nozzle codes.



Spray capacity code	Spray capacity (ℓ/min)					Spray width W (m) (at 5 MPa)	Mean droplet diameter (μm)	Free passage diameter (mm)
	3 MPa	4 MPa	5 MPa	7 MPa	10 MPa			
15	11.7	13.5	15.0	17.8	21.2	2.8	100–200	0.4
20	15.6	18.0	20.1	23.8	28.4	3.0		0.5
30	23.3	26.9	30.1	35.5	42.4	3.3		0.6
40	31.0	35.8	40.0	47.3	56.5	3.5		0.7
60	46.6	53.8	60.1	71.1	84.9	4.0		0.8

How to order

Please inquire or order for a specific nozzle using this coding system.

<Example> 1/2F TSP 15 S303

1/2F TSP 15 S303

- Spray capacity code
- 15
 - 20
 - 30
 - 40
 - 60