

Clog-resistant Alumina Ceramic Full Cone Spray Nozzles

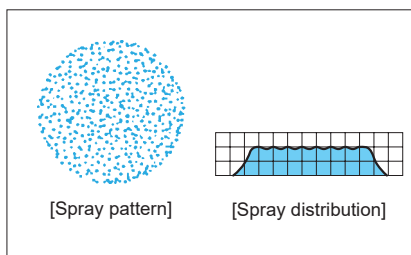
Made-to-Order

AJP-AL92

Clog-resistant full cone nozzle made of highly wear- and chemical-resistant alumina ceramic.



- Full cone spray pattern with a round impact area and uniform distribution.
- Without using a whirler, the liquid is atomized by collision inflow inside the nozzle.
- No-whirler design with a large free passage diameter minimizes clogging.
- Nozzle sprays at a 90° angle to the nozzle inlet. This right angle nozzle is suitable for installation in small spaces.



[STANDARD PRESSURE]

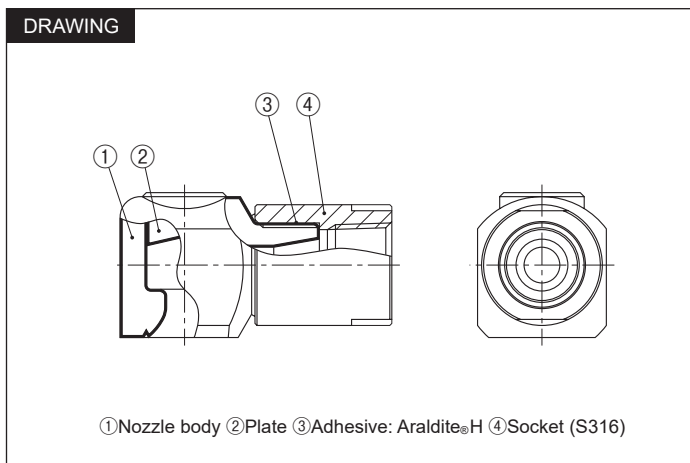
0.2 MPa

[APPLICATIONS]

- Spraying slurry
- Absorption tower of flue gas desulfurization equipment
- Spraying water in cooling tower
- Applications where re-circulated water is being used or clogging is a concern

Structure	<ul style="list-style-type: none"> • Alumina ceramic one-piece structure. • No obstructions in the nozzle interior.
Material	<ul style="list-style-type: none"> • Nozzle body: 92% Alumina • Socket: S316

The AJP-AL92 series is available with a socket made of S316 to prevent damage to the delicate alumina threads. The S316 socket is female threaded turning the male nozzle thread into a female connection.



Nozzle thread size	Spray angle (°) at 0.2 MPa	Spray capacity (L/min) at 0.2 MPa	Mean droplet diameter (μm)	Free passage diameter (mm)
R1/2	85 or 90	18.0-50.0	800-1,400	5.1-9.5
R3/4	90	55.0-90.0		9.6-12.9
R1	90	100-150		13.3-16.1
R1½	90	180-250		17.2-21.3

HOW TO ORDER

IKEUCHI will help select the best model for the specific applications and requirements of each customer. Contact us for more details.

Full Cone