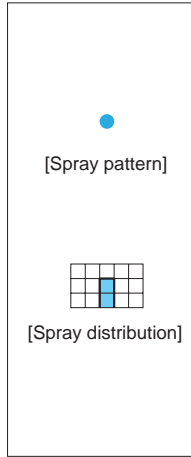


# Paper Trimming Nozzles

Some Models are Made-to-Order  
CMP-T/CTM/CM



- Extra fine straight solid stream nozzles with high impact cutting force.

**[STANDARD PRESSURE]**  
1.0 MPa

**[APPLICATIONS]**

- Trimming: Paper making
- Cutting: Timber, food
- Others: Cleaning of precision machine parts, injection of chemicals, deburring, foaming of beer (jet foamer)

Solid Stream

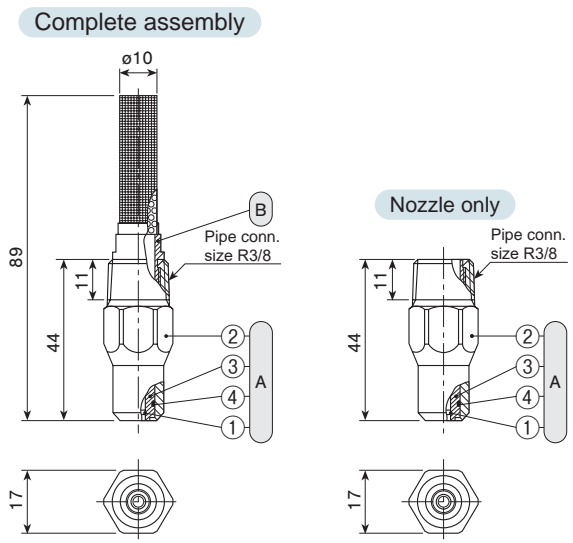
## CMP-T SERIES (with alumina ceramic orifice)

Structure	<ul style="list-style-type: none"> <li>• Features a high-purity ceramic orifice. Polyamide sleeve molded around a ceramic orifice is pressed into the tip of the nozzle.</li> <li>• Includes a nozzle and a strainer. Worn-out nozzles can be replaced separately.</li> </ul>
Material	<ul style="list-style-type: none"> <li>• Nozzle orifice: alumina ceramic</li> <li>• Sleeve: PA</li> <li>• Metal parts: S303</li> <li>• O-ring: NBR</li> </ul>
Weight	<ul style="list-style-type: none"> <li>• Complete assembly: 47 g</li> <li>• Nozzle only: 40 g</li> </ul>

[Note] Appearance and dimensions may differ slightly depending on material and nozzle code.

### DRAWING

Unit: mm



Ⓐ Nozzle (①Alumina ceramic orifice ②Nozzle body ③Sleeve ④O-ring [NBR])  
Ⓑ Strainer

## CTM SERIES (with tungsten carbide orifice)

Structure	<ul style="list-style-type: none"> <li>• Features a tungsten carbide orifice.</li> <li>• Includes a nozzle and a strainer integrated with an adaptor. Worn-out nozzles can be replaced separately.</li> </ul>
Material	<ul style="list-style-type: none"> <li>• Nozzle orifice: tungsten carbide</li> <li>• Metal parts: S303</li> </ul>

### [Complete Assembly]

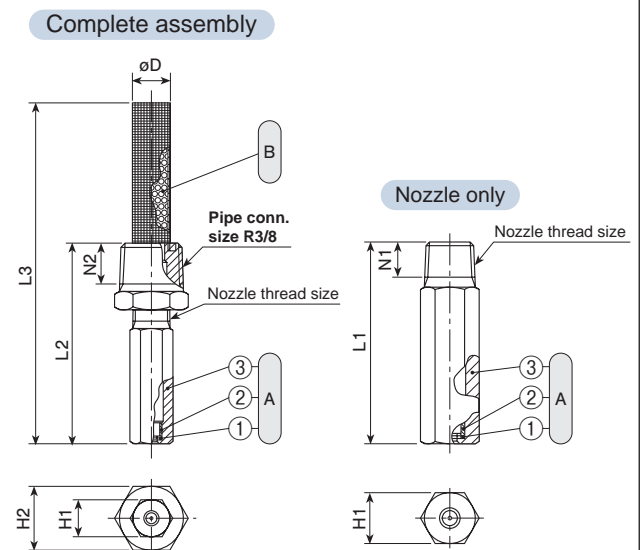
Orifice diameter code	Nozzle thread size	Dimensions (mm)						Weight (g)
		L2	L3	H1	H2	øD	N2	
ø0.2–ø0.9	R1/8	54	92	10	17	10	11	39
ø1.0–ø1.5	R1/4	52	90	14	17	10	11	47

### [Nozzle Only]

Orifice diameter code	Nozzle thread size	Dimensions (mm)			Weight (g)
		L1	H1	N1	
ø0.2–ø0.9	R1/8	40	10	7	16.5
ø1.0–ø1.5	R1/4	40	14	10.5	30

[Note] Appearance and dimensions may differ slightly depending on material and nozzle code.

### DRAWING



Ⓐ Nozzle (①Tungsten carbide orifice ②Sleeve ③Nozzle body)  
Ⓑ Strainer

# Paper Trimming Nozzles CMP-T/CTM/CM SERIES

## CM SERIES (with ceramic orifice)

Structure	<ul style="list-style-type: none"> <li>Features a ceramic orifice.</li> <li>Includes a nozzle and a strainer integrated with an adaptor. Worn-out nozzles can be replaced separately.</li> </ul>
Material	<ul style="list-style-type: none"> <li>Nozzle orifice: ceramic</li> <li>Metal parts: S303</li> </ul>

### [Complete Assembly]

Orifice diameter code	Nozzle thread size	Dimensions (mm)						Weight (g)
		L2	L3	H1	H2	øD	N2	
ø0.1-ø0.9	R1/8	54	92	10	17	10	11	39
ø1.0-ø1.5	R1/4	52	90	14	17	10	11	47

### [Nozzle Only]

Orifice diameter code	Nozzle thread size	Dimensions (mm)			Weight (g)
		L1	H1	N2	
ø0.1-ø0.9	R1/8	40	10	7	16.5
ø1.0-ø1.5	R1/4	40	14	10.5	30

[Note] Appearance and dimensions may differ slightly depending on material and nozzle code.

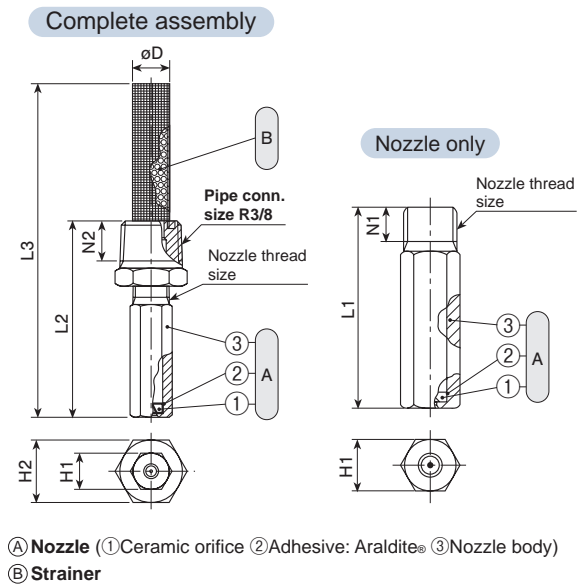
\*1) Made-to-order model

Orifice diameter code	CMP-T	CTM	CM	Spray capacity (L/min)						Strainer mesh size
				0.5 MPa	1 MPa	2 MPa	3 MPa	4 MPa	5 MPa	
ø0.1			● <sup>*1</sup>	0.011	0.016	0.022	0.027	0.031	0.035	200
ø0.15			● <sup>*1</sup>	0.03	0.04	0.05	0.06	0.07	0.08	200
ø0.2		● <sup>*1</sup>	● <sup>*1</sup>	0.05	0.06	0.09	0.11	0.12	0.14	200
ø0.25		● <sup>*1</sup>	● <sup>*1</sup>	0.07	0.10	0.14	0.17	0.19	0.21	200
ø0.3	●	●	●	0.10	0.14	0.19	0.23	0.27	0.30	150
ø0.4	●	●	●	0.17	0.24	0.34	0.41	0.47	0.52	150
ø0.5	●	●	●	0.25	0.35	0.49	0.60	0.68	0.76	80
ø0.6	●	●	●	0.36	0.51	0.71	0.86	0.99	1.10	80
ø0.7	●	●	●	0.49	0.69	0.96	1.17	1.34	1.49	50
ø0.8	●	●	●	0.65	0.90	1.26	1.53	1.75	1.95	50
ø0.9	●	●	●	0.78	1.09	1.52	1.84	2.11	2.35	50
ø1.0	●	●	●	0.97	1.34	1.88	2.28	2.61	2.91	50
ø1.1		●	●	1.17	1.63	2.27	2.75	3.16	3.51	50
ø1.2		●	●	1.39	1.94	2.70	3.28	3.76	4.18	50
ø1.3		●	●	1.63	2.27	3.17	3.85	4.41	4.91	50
ø1.4		●	●	1.89	2.64	3.68	4.46	5.12	5.69	50
ø1.5		●	●	2.17	3.03	4.22	5.12	5.88	6.54	50

●: Available with strainer

[Note] The above nozzles are manufactured for specific orifice diameters, therefore the spray capacity is not guaranteed.

## DRAWING



① Nozzle (① Ceramic orifice ② Adhesive: Araldite® ③ Nozzle body)  
② Strainer

## HOW TO ORDER

To inquire about or order a specific nozzle please refer to this coding system.

### CMP-T

#### ① Complete Assembly

Example: 3/8M CMP ø0.3 T S303 W

3/8M	CMP	ø0.3	T	S303	W
Pipe conn. size <sup>2</sup>		Orifice diameter code	Material		Strainer
		ø0.3			
		ø1.0			

#### ② Nozzle Only

Example: 3/8M CMP ø0.3 T S303

3/8M	CMP	ø0.3	T	S303
Pipe conn. size <sup>2</sup>		Orifice diameter code		Material
		ø0.3		
		ø1.0		

### CTM CM

#### ① Complete Assembly

Example: 3/8M CTM ø0.2 S303 W (PM-Strainer ø10)

3/8M	CTM	ø0.2	S303	W (PM-Strainer ø10)
Pipe conn. size <sup>2</sup>	Series	Orifice diameter code <sup>3</sup>	Material	Strainer <sup>1</sup>
	CTM	ø0.1		
	CM	ø1.5		

\*1) The CM/CTM series with orifice diameter codes ø0.1-0.25 (models with #200 strainer) are made-to-order.

#### ② Nozzle Only

Example: 1/8M CTMP ø0.2 S303

1/8M	CTMP	ø0.2	S303
Nozzle thread size <sup>2</sup>	Series	Orifice diameter code <sup>3</sup>	Material
1/8M (for ø0.1-ø0.9)	CTMP	ø0.1	
1/4M (for ø1.0-ø1.5)	CMP	ø1.5	

\*2) "M" indicates male thread ("R" of the ISO standard), e.g. 3/8M = R3/8.

\*3) ø0.1 and ø0.15 are only for the CM series.