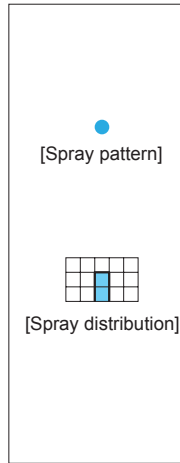
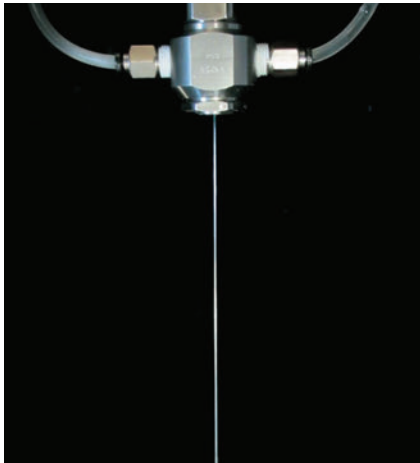


Solid Stream Jet with ON/OFF Control

SO-CC: Made-to-Order

SO-CC/SO-CM



- Extra-fine solid stream nozzles with high spray impact.
- Anti-drip design.
- Quick ON/OFF spray response.
- Spray ON/OFF can be regulated by turning the pilot air ON/OFF.

[STANDARD PRESSURE]
0.3 MPa

[APPLICATIONS]
Trimming: Paper making
Cutting: Food
Others: Marking, cleaning of precision machine parts, injection of chemicals, deburring

Solid Stream

SO-CC SERIES

Made-to-Order

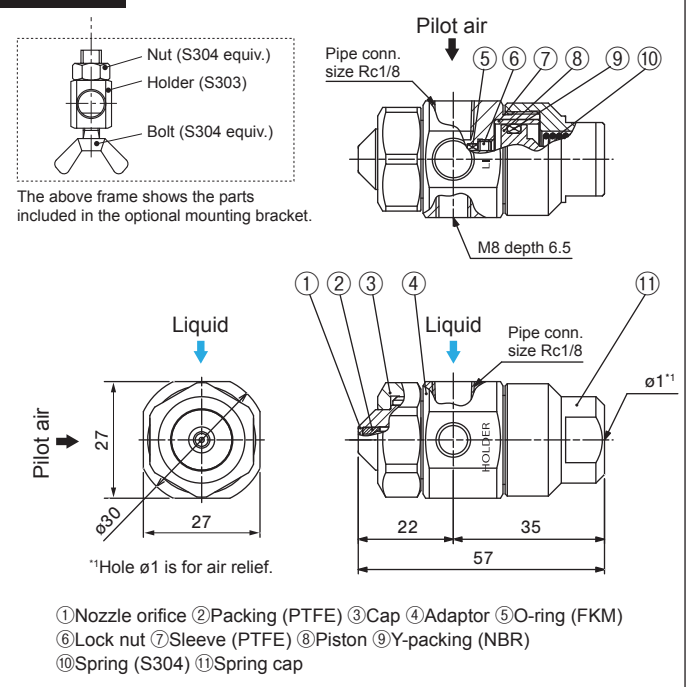
Structure	<ul style="list-style-type: none"> • Spray ON/OFF can be regulated by switching the pilot air ON/OFF. The pilot air activates an internal piston to regulate the spray.
Material	<ul style="list-style-type: none"> • S303
Weight	<ul style="list-style-type: none"> • 170 g

Max. operating pressure: 1.0 MPa

[Note] Appearance and dimensions may differ slightly depending on material and nozzle code.

DRAWING

Unit: mm



SO-CM SERIES (with ceramic orifice)

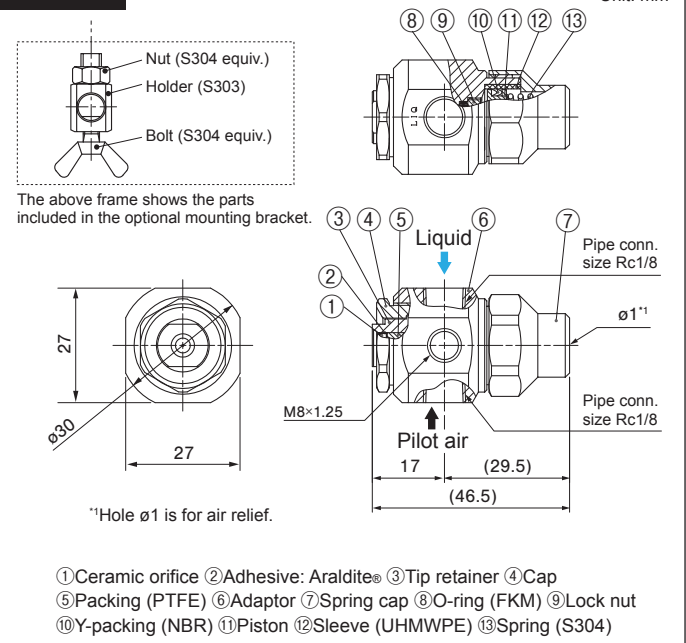
Structure	<ul style="list-style-type: none"> • Spray ON/OFF can be regulated by switching the pilot air ON/OFF. The pilot air activates an internal piston to regulate the spray.
Material	<ul style="list-style-type: none"> • Nozzle orifice: ceramic • Metal parts: S303
Weight	<ul style="list-style-type: none"> • 150 g

Max. operating pressure: 0.5 MPa

[Note] Appearance and dimensions may differ slightly depending on material and nozzle code.

DRAWING

Unit: mm



Solid Stream Jet with ON/OFF Control

SO-CC/SO-CM SERIES

Solid Stream

SO-CC Series

Orifice diameter code	Spray capacity (L/min)				
	0.1 MPa	0.3 MPa	0.5 MPa	0.8 MPa	1.0 MPa
∅0.3	0.04	0.07	0.09	0.11	0.13
∅0.4	0.07	0.12	0.16	0.20	0.22
∅0.5	0.11	0.18	0.24	0.30	0.34
∅0.6	0.15	0.27	0.34	0.43	0.49
∅0.7	0.21	0.36	0.46	0.58	0.65
∅0.8	0.27	0.47	0.60	0.76	0.85
∅0.9	0.34	0.59	0.76	0.96	1.07
∅1.0	0.42	0.73	0.94	1.19	1.33

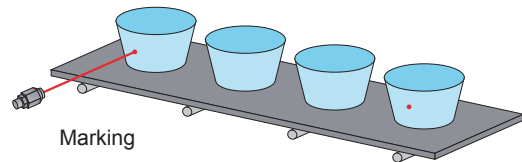
[Note] These nozzles are manufactured for specific orifice diameters, therefore the spray capacity is not guaranteed.

SO-CM Series

Orifice diameter code	Spray capacity (L/min)	
	0.3 MPa	0.5 MPa
∅0.3	0.08	0.10
∅0.4	0.14	0.17
∅0.5	0.20	0.25
∅0.6	0.29	0.36
∅0.7	0.39	0.49
∅0.8	0.51	0.65
∅0.9	0.61	0.78
∅1.0	0.75	0.97

[Note] These nozzles are manufactured for specific orifice diameters, therefore the spray capacity is not guaranteed.

Example of Use



Operation Time Chart

The pilot air ON/OFF controls the spray operation.

Pilot air	OFF	ON	OFF	ON	OFF
Liquid	Stop	Spray	Stop	Spray	Stop

Mounting Bracket (Optional)

This mounting bracket allows for easy installation of SO-CC/SO-CM series nozzles to a pole in the desired spray direction. Available in two sizes for pole diameters of 8 mm and 10 mm.



When ordering the optional Mounting Bracket, please specify "BIM ∅8 MBW" for ∅8 mounting bracket, or "BIM ∅10 MBW" for ∅10 mounting bracket.

HOW TO ORDER

To inquire about or order a specific nozzle please refer to this coding system.

Example: 1/8 SO-CC ∅0.3 S303

1/8 ^{*2}	SO-CC	∅0.3	S303
	Series	Orifice diameter code	Material
	SO-CC	∅0.3	
	SO-CM	∅	
		∅1.0	

*2) Indicates Rc1/8 for the liquid and pilot air connection thread size.

The SO-CC series is made-to-order.

ALSO AVAILABLE!

Flat Spray Nozzles with ON/OFF Control

SO-V
SO-VV
SERIES

See page 44 for more details.

CAUTIONS

- Supply liquid pressure at 0.5 MPa or less for the SO-CM series, and 1.0 MPa or less for the SO-CC series.
- Supply pilot air pressure between 0.2 and 0.5 MPa.
- For better shut off and to prevent dripping, purge the air between the solenoid valve and the nozzle when it is shut off, using a 3-way solenoid valve.