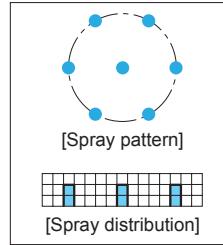
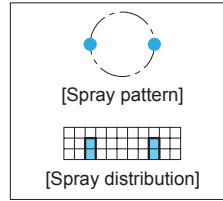
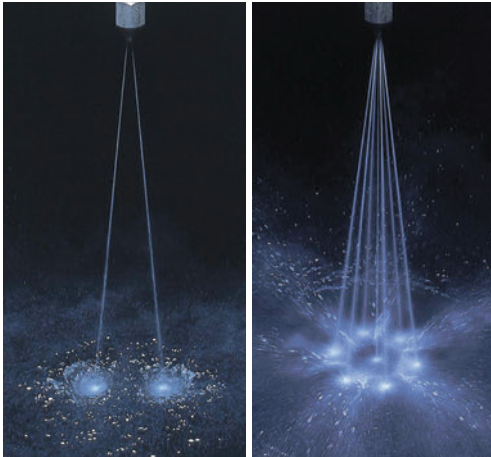


# Multi-orifice Solid Stream Jet

Made-to-Order

## 2CCP·7CCP/2CP·7CP



- Multiple solid streams with high impact force.
- 2-orifice and 7-orifice nozzles are available.
- Compact design.

[STANDARD PRESSURE]  
1.0 MPa

### [APPLICATIONS]

Cleaning: Wire and felt parts of paper making machines, dandy rolls, machine parts, bottles, vehicles, returnable containers

Solid Stream

### 2CCP, 7CCP SERIES (all metal)

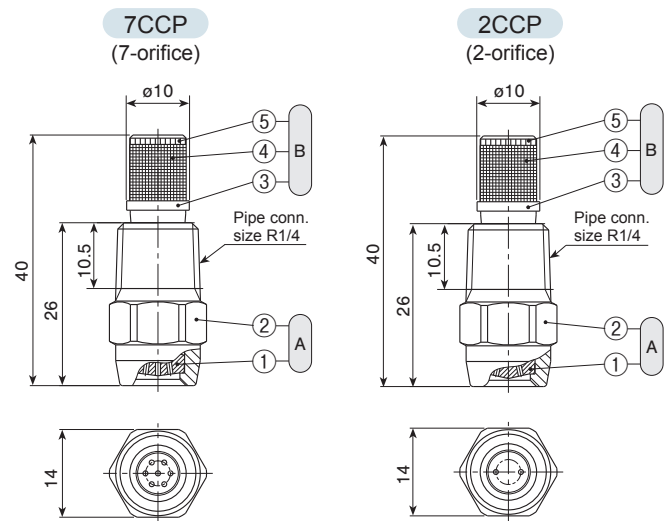
Structure	<ul style="list-style-type: none"> <li>• Metal one-piece structure.</li> <li>• Some models are available with strainer.</li> </ul>
Material	<ul style="list-style-type: none"> <li>• S303</li> <li>SPECIAL ORDER MATERIAL: S420J2 (nozzle orifice only)</li> </ul>
Weight <sup>*1</sup>	<ul style="list-style-type: none"> <li>• 16g</li> </ul>

\*1) With strainer, add 2g to the above weight.

[Note] Appearance and dimensions may differ slightly depending on material and nozzle code.

### DRAWING

Unit: mm



- A** Nozzle (① Nozzle orifice ② Nozzle body)  
**B** Strainer (③ Strainer holder ④ Strainer screen ⑤ Strainer cap)

### 2CP, 7CP SERIES (with ceramic orifice)

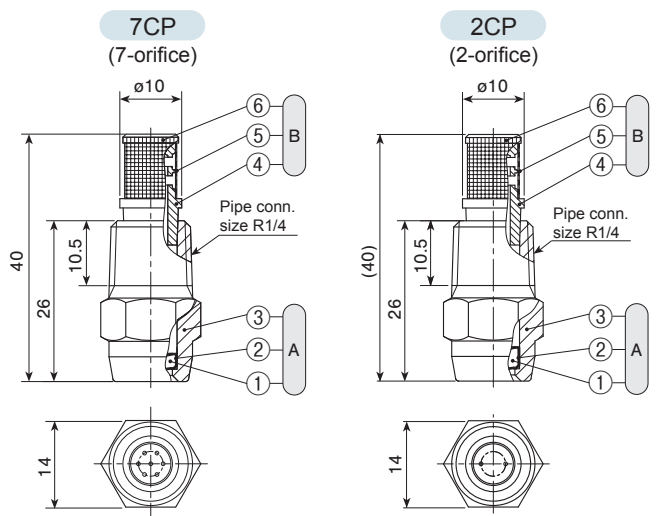
Structure	<ul style="list-style-type: none"> <li>• One-piece structure with a ceramic orifice insert.</li> <li>• Almost all models are available with strainer.</li> </ul>
Material	<ul style="list-style-type: none"> <li>• Nozzle orifice: ceramic</li> <li>• Metal parts: S303</li> </ul>
Weight <sup>*2</sup>	<ul style="list-style-type: none"> <li>• 17g</li> </ul>

\*2) With strainer, add 5g to the above weight.

[Note] Appearance and dimensions may differ slightly depending on material and nozzle code.

### DRAWING

Unit: mm



- A** Nozzle (① Ceramic orifice ② Adhesive: Araldite®H ③ Nozzle body)  
**B** Strainer (④ Strainer holder ⑤ Strainer screen ⑥ Strainer cap)

# Multi-orifice Solid Stream Jet

## 2CCP · 7CCP/2CP · 7CP series

### 2CCP/2CP Series (two-orifice nozzles)

Spreading angle code	Spray capacity code	2CCP (metal)	2CP (with ceramic orifice)	Spreading angle <sup>3</sup> (°)			Spray capacity (L/min)							Free passage diameter (mm)	Strainer mesh size
				0.5 MPa	1 MPa	2 MPa	0.3 MPa	0.5 MPa	0.7 MPa	1 MPa	1.5 MPa	2 MPa	3 MPa		
25	09		●	25	25	25	0.47	0.61	0.72	0.86	1.05	1.22	1.49	0.5	100
	12		●	25	25	25	0.68	0.88	1.04	1.24	1.52	1.75	2.15	0.6	100
	17	●	●	25	25	25	0.92	1.19	1.41	1.68	2.06	2.38	2.91	0.7	50
	22	●	●	25	25	25	1.19	1.54	1.82	2.18	2.67	3.08	3.78	0.8	50
34	○	○		25	25	25	1.87	2.42	2.86	3.42	4.19	4.84	5.92	1.0	—
15	09		●	15	15	15	0.47	0.61	0.72	0.86	1.05	1.22	1.49	0.5	100
	12		●	15	15	15	0.68	0.88	1.04	1.24	1.52	1.75	2.15	0.6	100
	17	●	●	15	15	15	0.92	1.19	1.41	1.68	2.06	2.38	2.91	0.7	50
	22	●	●	15	15	15	1.19	1.54	1.82	2.18	2.67	3.08	3.78	0.8	50
34	○	○		15	15	15	1.87	2.42	2.86	3.42	4.19	4.84	5.92	1.0	—
10	09		●	10	10	10	0.47	0.61	0.72	0.86	1.05	1.22	1.49	0.5	100
	12		●	10	10	10	0.68	0.88	1.04	1.24	1.52	1.75	2.15	0.6	100
	17	●	●	10	10	10	0.92	1.19	1.41	1.68	2.06	2.38	2.91	0.7	50
	22	●	●	10	10	10	1.19	1.54	1.82	2.18	2.67	3.08	3.78	0.8	50
34	○	○		10	10	10	1.87	2.42	2.86	3.42	4.19	4.84	5.92	1.0	—

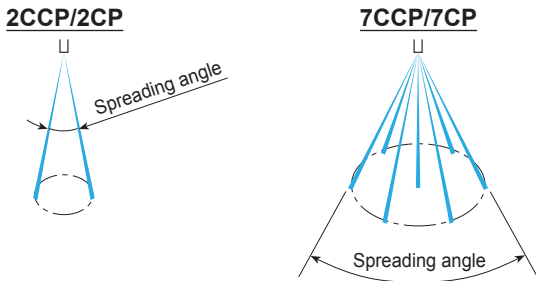
●: Available with or without strainer ○: Only available without strainer

### 7CCP/7CP Series (seven-orifice nozzles)

Spreading angle code	Spray capacity code	7CCP (metal)	7CP (with ceramic orifice)	Spreading angle <sup>3</sup> (°)			Spray capacity (L/min)							Free passage diameter (mm)	Strainer mesh size
				0.5 MPa	1 MPa	2 MPa	0.3 MPa	0.5 MPa	0.7 MPa	1 MPa	1.5 MPa	2 MPa	3 MPa		
15	30		●	15	15	15	1.65	2.13	2.52	3.01	3.69	4.26	5.21	0.5	100
	43		●	15	15	15	2.38	3.07	3.63	4.34	5.32	6.14	7.52	0.6	100
	59	●	●	15	15	15	3.22	4.16	4.92	5.88	7.20	8.32	10.2	0.7	50
	76	●	●	15	15	15	4.18	5.40	6.38	7.63	9.34	10.8	13.2	0.8	50
	119	○	○		15	15	15	6.52	8.41	9.96	11.9	14.6	16.8	20.6	1.0

●: Available with or without strainer ○: Only available without strainer

\*3) The spreading angle is the angle between the solid streams. For a seven-orifice nozzle it is the angle between the two streams directly opposite to each other and the furthest apart.



### HOW TO ORDER

To inquire about or order a specific nozzle please refer to this coding system.

#### Two-orifice Nozzles

Example: 1/4M 2CP 2517 S303W

1/4M	2CP	25	17	S303	W
Pipe conn. size <sup>4</sup>	Series	Spreading angle code	Spray capacity code	Material	Strainer
	■ 2CCP ■ 2CP	■ 25 ■ 15 ■ 10	■ 09 } ■ 34		■ W (with strainer) ■ (Blank indicates "without strainer")

#### Seven-orifice Nozzles

Example: 1/4M 7CP 1559 S303W

1/4M	7CP	15	59	S303	W
Pipe conn. size <sup>4</sup>	Series	Spray capacity code	Material	Strainer	
	■ 7CCP ■ 7CP	■ 30 } ■ 119		■ W (with strainer) ■ (Blank indicates "without strainer")	

\*4) "M" indicates male thread ("R" of the ISO standard), e.g. 1/4M = R1/4.

These nozzle series are made-to-order.