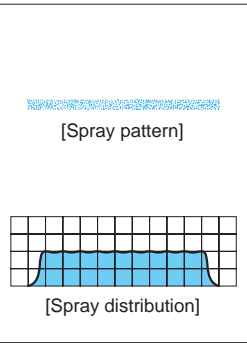
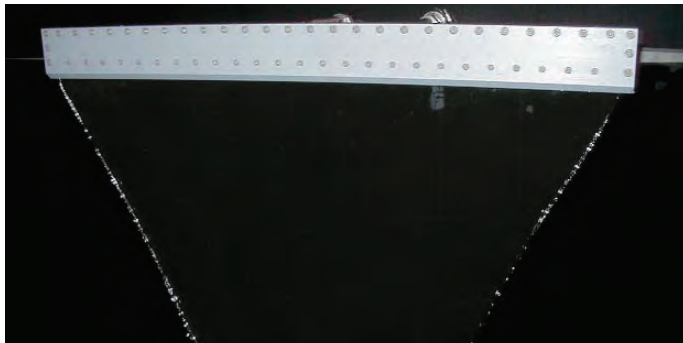


# Slit Nozzles

Made-to-Order

# SLNH-H/SLNHA-H



- Water or air sprayed from slit nozzles is uniform in width direction.
  - SLNH-H series for liquid spraying with even spray flow distribution. SLNHA-H series for air spraying with even spray impact distribution.
  - Thin liquid film spray saves cost for chemicals and water.
  - Compact and space-saving design.
- [APPLICATIONS]**  
Blow-off drying, cleaning, developing, etching

Slit

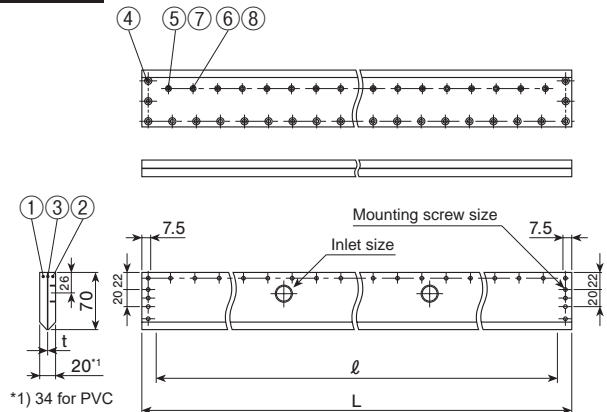
Material • S304 or PVC

Series	Slit length $\ell$ (mm)	Slit opening t (mm)	Effective liquid film width (mm) at 10 mm height	Number of inlets	Thread size		Total length $L^2$ (mm)	Weight (kg)	
					Inlet	Mounting		S304	PVC
SLNH-H (Liquid spraying)	460	0.1	410	2	Rc3/8	S304: M5 (depth 8 mm)	490	4.3	1.3
	600		630		5.5		1.6		
	700		730		6.4		1.9		
	780		810		7.1		2.1		
	1,200	3	Rc1/2	1,230	11.0		3.1		
	460	0.3	410	2	PVC: M5 (depth 10 mm)		490	4.3	1.3
	600		630				5.5	1.6	
	700		730				6.4	1.9	
780	810		7.1			2.1			
1,200	5	Rc1/2	1,230	11.0		3.1			
SLNHA-H (Air spraying)	530	0.1	-	2		Rc3/8	560	5.0	1.5
	700		Rc1/2			730	6.5	1.9	
	810		840			7.5	2.2		
	900		930		8.0	2.5			
	1,400		1,430		12.0	4.0			

\*2) S304: Customizable total length from 250 mm to 3,950 mm.  
PVC: Customizable total length from 250 mm to 2,950 mm.

## DRAWING

Unit: mm



- ① Nozzle body A (S304) ② Nozzle body B (S304) ③ Packing (PE)  
④ Bolt [M5x10] (S304 equivalent) ⑤ Bolt [M4x8] (S304 equivalent)  
⑥ Bolt [M4x10] (S304 equivalent) ⑦ O-ring [P4] (FKM) ⑧ O-ring (FKM)

The above drawing is of the stainless steel SLNH-H series.  
Inquiry drawing forms for each series and material are available to verify dimensional specifications.

[Note] Appearance and dimensions are subject to change due to product improvement.

Series	Slit length (mm)	Slit opening (mm)	Spray capacity (L/min)*3								
			0.01 MPa	0.02 MPa	0.03 MPa	0.04 MPa	0.05 MPa	0.06 MPa	0.07 MPa	0.08 MPa	
SLNH-H (Liquid spraying)	460	0.1	7.2	10.7	13.4	15.7	17.8	19.7	21.4	23.1	
			9.4	13.9	17.4	20.5	23.2	25.7	27.9	30.1	
			11.0	16.2	20.3	23.9	27.0	29.9	32.6	35.1	
			12.3	18.1	22.7	26.6	30.1	33.3	36.3	39.1	
	1,200	0.3	18.9	27.8	34.9	40.9	46.4	51.3	55.9	60.2	
			21.7	32.0	40.1	47.1	53.3	59.0	64.3	69.2	
			28.3	41.7	52.3	61.4	69.5	77.0	83.8	90.3	
			33.0	48.7	61.0	71.7	81.1	89.8	97.8	105	
780	0.3	36.8	54.2	68.0	79.8	90.4	100	109	117		
		56.6	83.4	105	123	139	154	168	181		
		SLNHA-H (Air spraying)	0.1	209	355	472	570	657	736	810	880
				276	469	623	753	868	972	1,070	1,160
319	543			721	871	1,000	1,130	1,240	1,350		
355	603			802	968	1,120	1,250	1,380	1,490		
552	938			1,250	1,510	1,740	1,940	2,140	2,330		

\*3) • The above spray capacity indicates liquid flow rate for the SLNH-H series, and air flow rate for the SLNHA-H series.

• The measure for air flow rate is L/min at normal conditions (0°C, 1 atm). • The above spray capacities are for reference only and subject to design changes.

## HOW TO ORDER

To inquire about or order a specific nozzle please refer to this coding system.

### SLNH-H (liquid spray)

Example: 2-3/8F SLNH-H 460x0.1 PVC

2-3/8F	SLNH-H	460	x	0.1	PVC
Number of inlets - Thread size*	Slit length	Slit opening		Material	
<input type="checkbox"/> 2-3/8F <input type="checkbox"/> 2-1/2F <input type="checkbox"/> 3-1/2F <input type="checkbox"/> 4-1/2F <input type="checkbox"/> 5-1/2F	460 600 700 780 1200	0.1 0.3		S304 PVC	

### SLNHA-H (air spray)

Example: 2-3/8F SLNHA-H 530x0.1 PVC

2-3/8F	SLNHA-H	530	x	0.1	PVC
Number of inlets - Thread size*	Slit length	Slit opening		Material	
<input type="checkbox"/> 2-3/8F <input type="checkbox"/> 2-1/2F <input type="checkbox"/> 3-1/2F	530 700 810 900 1400	0.1		S304 PVC	

\*4) "F" indicates female thread ("Rc" of the ISO standard), e.g. 3/8F = Rc3/8.

These nozzle series are made-to-order.