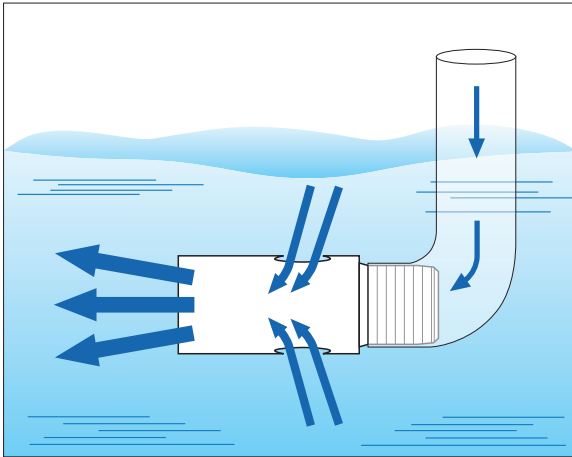


Ejector Nozzles for Solution Agitation

Some Models are Made-to-Order

EJX



- EJX shoots out 3 to 4 times the amount of liquid supplied, by suctioning additional liquid from its surroundings through negative pressure.
- Simple one-piece structure with a compact, lightweight design.

[STANDARD PRESSURE]
0.05 MPa

[APPLICATIONS]

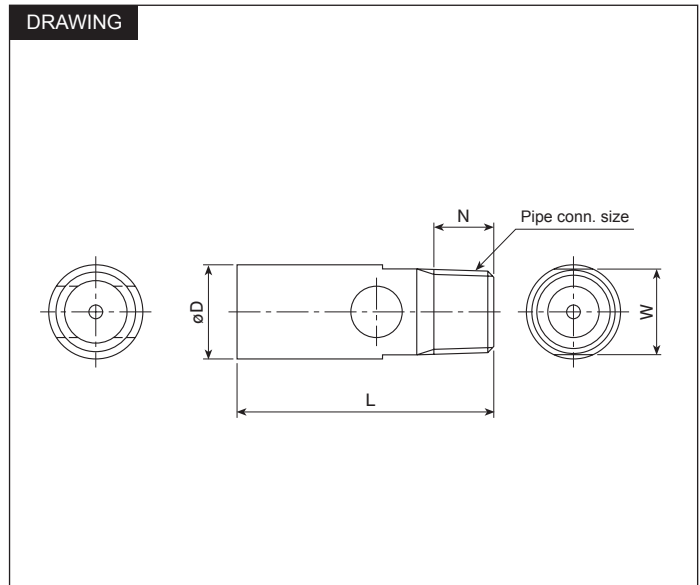
- Solution agitation (even mixing, preventing deposition)
- Cleaning in liquids
- Submerged etching and plating

Structure	<ul style="list-style-type: none"> • One-piece structure, made of metal or plastic.
Material	<ul style="list-style-type: none"> • S303 (S304 for sizes R1 and R1 1/2) • PP (PVC for sizes R1 and R1 1/2)

Pipe conn. size	Dimensions (mm)				Weight (g)	
	L	W	øD	N	S303 S304	PP PVC
R1/8	30	10 (11) ²	11	7	11	1.3 ¹
R1/4	48	14 (16) ²	16	10.5	26	3.2 ¹
R3/8	72	22	24	11	80	10
R1/2	93	27	31	14	170	20
R3/4	126	34	42	15	420	48
R1	172	60	76.3 (80) ²	18	2,200	460
R1 1/2	212	80	89.1 (90) ²	20	3,200	540

*1) Sizes R1/8 and R1/4 are made of PP and are injection molded.
*2) Dimensions in () show those of plastic EJX series nozzles.

[Note] Appearance and dimensions may differ slightly depending on material and nozzle code.



Supplied volume code	Pipe conn. size ³	Supply flow rate (L/min)						Discharge flow rate (L/min) [Reference only]						Free passage diameter (mm)
		0.03 MPa	0.05 MPa	0.1 MPa	0.15 MPa	0.2 MPa	0.3 MPa	0.03 MPa	0.05 MPa	0.1 MPa	0.15 MPa	0.2 MPa	0.3 MPa	
1	R1/8	0.85	1.10	1.56	1.91	2.20	2.69	2.2	3.1	5.0	6.6	9.2	10	1.5
4	R1/4	3.10	4.00	5.66	6.93	8.00	9.80	8.1	11	18	24	34	38	2.8
9	R3/8	6.97	9.00	12.7	15.6	18.0	22.0	18	26	41	54	75	85	4.2
16	R1/2	12.4	16.0	22.6	27.7	32.0	39.2	33	46	72	95	134	151	5.7
30	R3/4	23.2	30.0	42.4	52.0	60.0	73.5	61	86	140	180	250	280	7.7
90	R1	69.7	90.0	127	156	180	220	180	260	410	540	760	850	13.3
160	R1 1/2	124	160	226	277	320	392	330	460	720	950	1,340	1,510	17.5

*3) The EJX series with thread size R1 and R1 1/2 are made-to-order.

HOW TO ORDER

To inquire about or order a specific nozzle please refer to this coding system.

Example: 3/8M EJX 1 - 9 PP

3/8M EJX 1 - **9** **PP**

Pipe conn. size⁴

- 1/8M
- 1/4M
- 1*1/2M

Supplied volume code

- 1
- 160

Material

- S303
- S304 (for sizes 1M and 1*1/2M)
- PP (PP-IN for sizes 1/8M and 1/4M)
- PVC (for sizes 1M and 1*1/2M)

*4) "M" indicates male thread ("R" of the ISO standard), e.g. 1*1/2M = R 1 1/2.

Sizes R1 and R1 1/2 are made-to-order.

Solid Stream