

High Flow Rate Type



- High flow rate EJX series effectively agitates liquids for cleaning and promoting reactions, featuring 1.5-2 times higher spray impact (flow velocity) compared to the conventional EJX series.
- One-piece structure.
- Standard pressure: 0.1 MPa

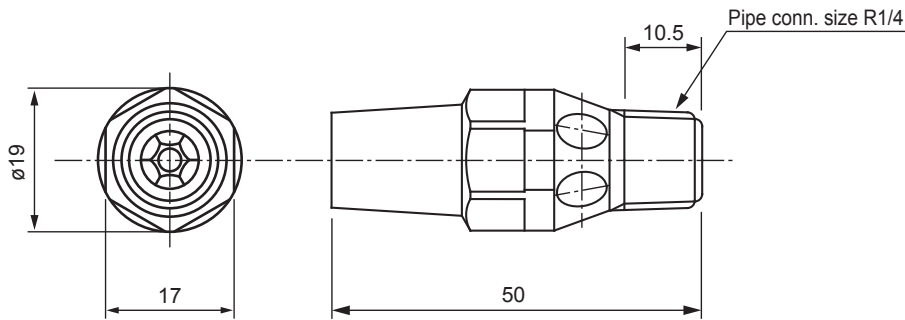
Applications

Pre-treatment Bumper painting

- Stirring electroplating tanks in painting process

Drawing

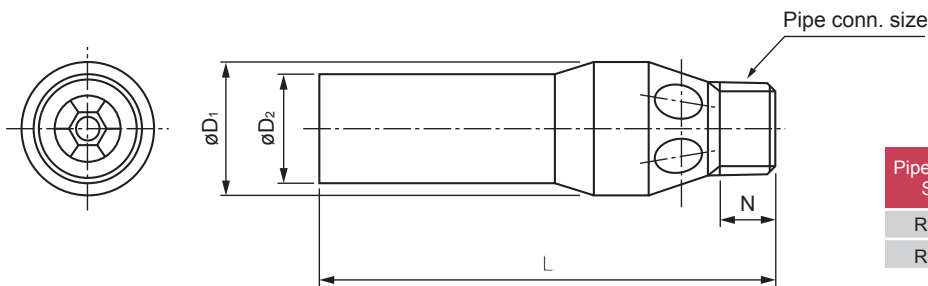
■ 1/4M EJX 1*0/5.8 PP-IN (ø19-50, ø6)



Material: PP
Weight: 5 g

■ 1/2M EJX 1*0/22 PP (ø32-110)

■ 3/4M EJX 1*0/64 PP (ø45-160)



Material: PP

Pipe Conn. Size	Outer Dimensions (mm)				Weight (g)
	L	øD ₁	øD ₂	N	
R1/2	110	32	25	14	30
R3/4	160	45	41	15	90

Specifications

Nozzle Code	Supply Volume (L/min)						Spray Volume (L/min) [Reference Value]						Free Passage Diameter (mm)
	0.03 MPa	0.05 MPa	0.1 MPa	0.15 MPa	0.2 MPa	0.3 MPa	0.03 MPa	0.05 MPa	0.1 MPa	0.15 MPa	0.2 MPa	0.3 MPa	
1/4M EJX 1*0/5.8 PP-IN (ø19-50, ø6)	3.20	4.00	5.80	7.10	8.20	10.0	10.5	13.4	18.8	23.2	27.0	34.5	2.8
1/2M EJX 1*0/22 PP (ø32-110)	12.0	16.0	22.0	27.5	32.0	39.0	36.0	47.0	73.0	95.0	111	134	5.5
3/4M EJX 1*0/64 PP (ø45-160)	36.0	46.0	64.0	77.0	90.6	109	103	140	206	260	301	380	9.1

How to Order

To inquire about or order a specific product please use the above nozzle code.

These nozzle series are made-to-order.