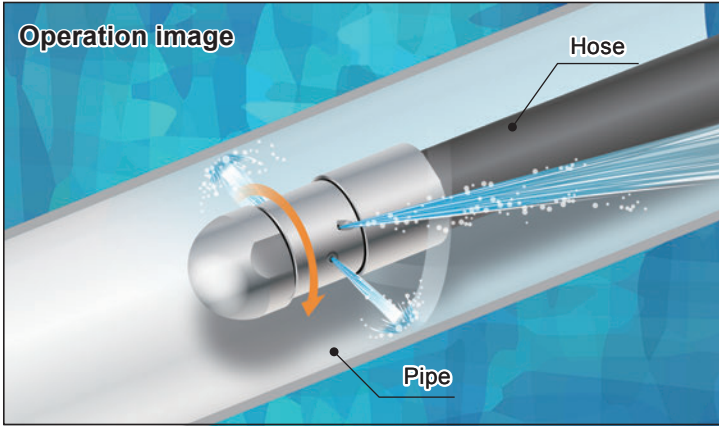


High-Pressure Rotating Pipe Cleaning Nozzles

RSP-R

Operation image



- Self-propelled in the pipe and rotating due to spray reaction force.
- Rotating solid stream jets with a high spray impact thoroughly clean the inner surface of a pipe.
- Compact design, made of special stainless steel with excellent wear resistance.

[STANDARD PRESSURE]

1.0 MPa

[APPLICATIONS]

Cleaning the inside of pipes, water and sewage drains, tubes of heat exchangers and cooling machines
Removing scale and rust

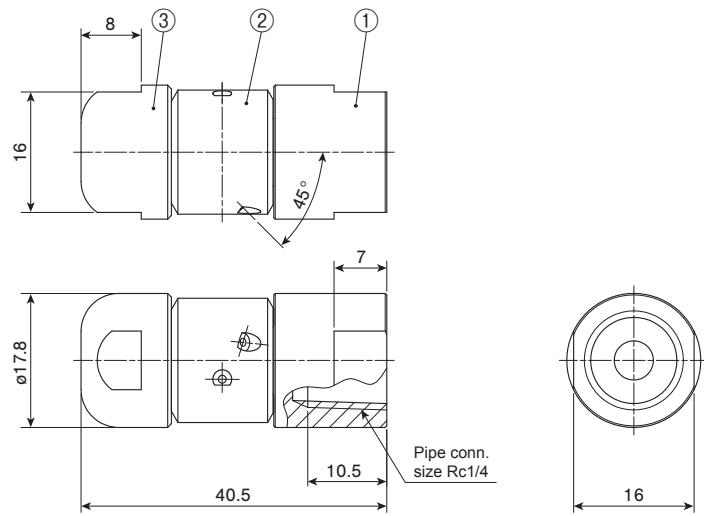
Solid Stream

Structure	<ul style="list-style-type: none"> • Made of metal. • Includes a connecting adaptor, nozzle body, and cap.
Material	<ul style="list-style-type: none"> • HS (Hardened stainless steel)
Weight	<ul style="list-style-type: none"> • 40 g

Max. temperature: 150°C
Max. operating pressure: 10.0 MPa

DRAWING

Unit: mm

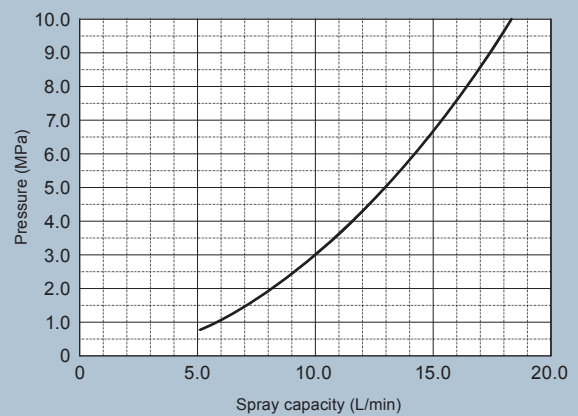


①Connecting adaptor ②Nozzle body (rotating part) ③Cap (bearing)

[Note] Appearance and dimensions may differ slightly depending on material and nozzle code.

Spray capacity (L/min)			
1 MPa	2 MPa	5 MPa	10 MPa
5.8	8.2	13.0	18.3

FLOW-RATE DIAGRAM



HOW TO ORDER

Please inquire or order using this product code.

1/4F RSP

Pipe conn.
size*

58R

Spray capacity
code

HS

Material

*"F" indicates female thread ("Rc" of the ISO standard), e.g. 1/4F = Rc1/4.