

Universal Ball Joints

UT



Metal UT with spray nozzle



Plastic UT with spray nozzle

- Allows for precise alignment and adjustment of the nozzle and spray direction after installation within a range of 50°.

Metal Ball Joints

- Accurate nozzle alignment is possible after connecting to a pipe.
- Available in variety of pipe connection sizes from 1/8" to 3/4".
- Stainless steel UT Ball Joints are designed to withstand pressures up to 15 MPa.

Plastic Ball Joints

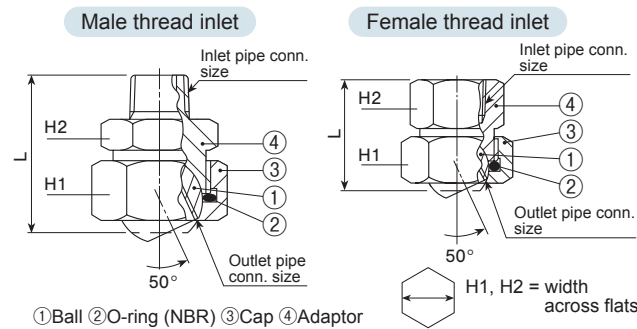
- Spray direction is adjustable while spraying at a pressure up to 0.3 MPa.
- Easy installation, no tools required. No O-ring.
- Cost saving, injection-mold construction.
- Lightweight, weighing less than half of the metal ball joint.

Accessories

UT SERIES (metal)

Material • S303 or B (brass)
SPECIAL ORDER MATERIAL: S316 or others

DRAWING



Ball joint code (Inlet x Outlet)	Inlet pipe conn. size	Outlet pipe conn. size	Dimensions (mm)			Weight (g)	
			L	H1	H2	S303	B
UT 1/8M × 1/8F	R1/8	Rc1/8	32.5	22	21	56	60
UT 1/4M × 1/8F	R1/4	Rc1/8	36.0	22	21	60	—
UT 1/4M × 1/4F	R1/4	Rc1/4	39.5	29	24	100	110
UT 3/8M × 1/4F	R3/8	Rc1/4	40.0	29	24	110	115
UT 3/8M × 3/8F	R3/8	Rc3/8	47.5	35	30	190	205
UT 1/2M × 1/2F	R1/2	Rc1/2	54.5	41	41	325	—
UT 3/4M × 3/4F	R3/4	Rc3/4	61.5	50	46	490	—
UT 1/8F × 1/8F	Rc1/8	Rc1/8	28.5	22	21	63	—
UT 1/4F × 1/8F	Rc1/4	Rc1/8	28.5	22	21	58	—
UT 1/4F × 1/4F	Rc1/4	Rc1/4	33.5	29	24	110	—
UT 3/8F × 1/4F	Rc3/8	Rc1/4	33.5	29	24	100	—
UT 3/8F × 3/8F	Rc3/8	Rc3/8	44.5	35	30	220	—
UT 1/2F × 1/2F	Rc1/2	Rc1/2	48.5	41	41	375	—
UT 3/4F × 3/4F	Rc3/4	Rc3/4	55.5	50	46	560	—

Note: UT-B (brass) series are not available for sizes of "—" in the weight column.

HOW TO ORDER

To inquire about or order a specific metal ball joint please refer to this coding system.

Example: UT 1/8M × 1/8F S303

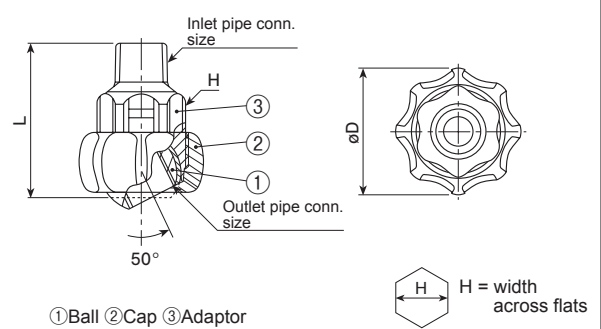
UT	1/8M	×	1/8F	S303
	Inlet pipe connection size*		Outlet pipe connection size*	Material
	1/8M 1/8F		1/8F	S303
	1/4M 1/4F		1/4F	B
	3/8M 3/8F		3/8F	
	1/2M 1/2F		1/2F	
	3/4M 3/4F		3/4F	

**"M" indicates male thread ("R" of the ISO standard) and "F" indicates female thread ("Rc" of the ISO standard), e.g. 1/8M = R1/8, 1/8F = Rc1/8.

UT SERIES (plastic)

Material • Adaptor and Cap: FRPP
• Ball: FRPP + PP + EPDM

DRAWING



Ball joint code (Inlet x Outlet)	Inlet pipe conn. size	Outlet pipe conn. size	Dimensions (mm)			Weight (g)
			L	H	øD	
UT 1/8M × 1/8F	R1/8	Rc1/8	38.0	21	32	12
UT 1/4M × 1/8F	R1/4	Rc1/8	40.0	21	32	13
UT 1/4M × 1/4F	R1/4	Rc1/4	40.0	21	32	12
UT 3/8M × 1/8F	R3/8	Rc1/8	41.0	21	32	13
UT 3/8M × 1/4F	R3/8	Rc1/4	41.0	21	32	12

HOW TO ORDER

To inquire about or order a specific plastic ball joint please refer to this coding system.

Example: UT 1/8M × 1/8F FRPP-IN

UT	1/8M	×	1/8F	FRPP-IN
	Inlet pipe connection size*		Outlet pipe connection size*	Material
	1/8M		1/8F	
	1/4M		1/4F	
	3/8M			

**"M" indicates male thread ("R" of the ISO standard) and "F" indicates female thread ("Rc" of the ISO standard), e.g. 1/8M = R1/8, 1/8F = Rc1/8.



Metal UT Use UT-S303 only at pressures below 15 MPa, UT-B (brass) below 4 MPa.
Plastic UT Use UT-FRPP only at pressures below 1 MPa (at room temperature).

Do not use UT ball joint adaptors if sudden changes in water pressure can occur.
When using KB and KKB series nozzles, a different type of UT Ball Joints are required. Please contact us for more details.