

Quick-detachable Nozzle Connector

INCO

Flat Spray



Photo is INCO with a wide-angle flat spray nozzle YYP series.

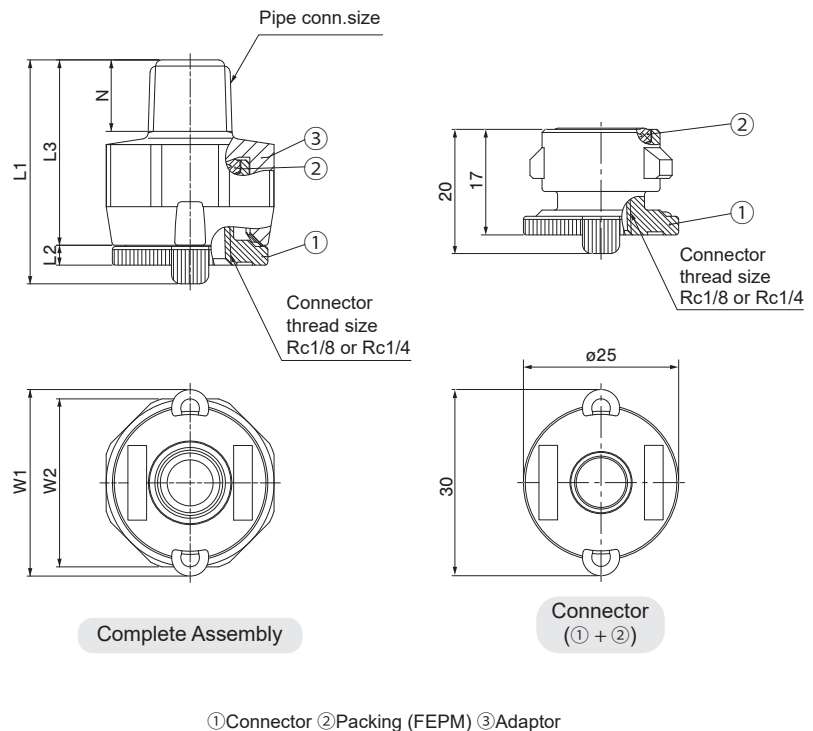
- Easy installation and removal by attaching a nozzle to this connector.
- Made of highly chemical and heat resistant plastic.
- Quick-detachable design helps to significantly reduce maintenance time.
- R1/4 or R1/8 threaded nozzle is attachable.
- Adaptors are color-coded by material: gray for PP and black for PPS. (PVDF adaptor is only available on a made-to-order basis.)

Structure	<ul style="list-style-type: none"> • Two-piece structure including a connector with packing and an adaptor. • Easy installation and removal of the connector with a twist of about 60°.
Material	<ul style="list-style-type: none"> • Connector: PP • Adaptor: PP or PPS [SPECIAL ORDER MATERIAL: PVDF] • Packing: FEPM

Pipe conn. size	Dimensions (mm)						Weight (g)	
	L1	L2	L3	W1	W2	N	PP	PPS
R1/8	33	3	27	30	27	8	9	12
R1/4	36	3	30	30	27	11.5	10	13
R3/8	36	3	30	30	27	12	11	14

DRAWING

Unit: mm



[Note] Appearance and dimensions may differ slightly depending on material and nozzle code.

HOW TO ORDER

To inquire about or order a specific connector please refer to this coding system.

① Complete Assembly

Example: INCO 1/4M×1/8F PP (FEPM) + PP

INCO	1/4M	×	1/8F	PP (FEPM)	+	PP
	Pipe conn. size*		Connector thread size*	Connector material (packing: FEPM)		Adaptor material
	1/8M		1/8F			PP
	1/4M		1/4F			PPS
	3/8M					

② Connector Only (with packing)

Example: INCO 1/8F PP (FEPM)

INCO	1/8F	PP (FEPM)
	Connector thread size*	Connector material (packing: FEPM)
	1/8F	
	1/4F	

③ Adaptor is available for purchase separately.

**M" indicates male thread ("R" of the ISO standard) and "F" indicates female thread ("Rc" of the ISO standard).

ALSO AVAILABLE!

Quick-detachable
Off-center Even Flat
Spray Nozzles

INOVE
SERIES

See page 39 for
more details.