

42 mm wide flat jet

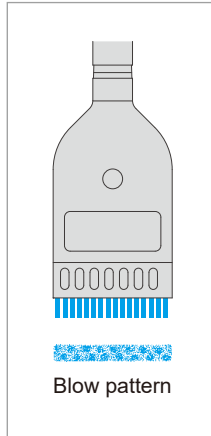
TAIFUJet®
TF-F42



Plastic

Metal

For compressors



- Air booster nozzle suitable for applications where flat blowing is required.
- The unique design creates a uniform and efficient air flow distribution.
- It produces a powerful, high impact air stream, while saving energy.
- Low noise level.
- 42 mm wide air nozzle generating an effective flat blow through 16 orifices. The orifices come in different diameters; 0.8*, 1.0 or 1.2* mm (*only metal).

Compressed air

Material
Plastic: PPS, Metal: S316L equivalent

Weight
Plastic: 30 g, Metal: 144 g

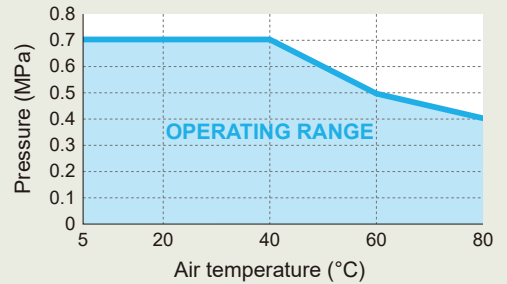
Max. operating pressure
Plastic^{*1}: 0.7 MPa (100 psi), Metal: 1.0 MPa (140 psi)

Max. temperature
Plastic^{*1}: 80°C (170°F), Metal: 400°C (750°F)

Noise level (at 0.3 MPa)
Plastic: 77 dBA, Metal: 72–80 dBA

Air consumption (at 0.3 MPa)
Plastic: 440 L/min, Normal
Metal: 280–630 L/min, Normal

Operating range of PPS model

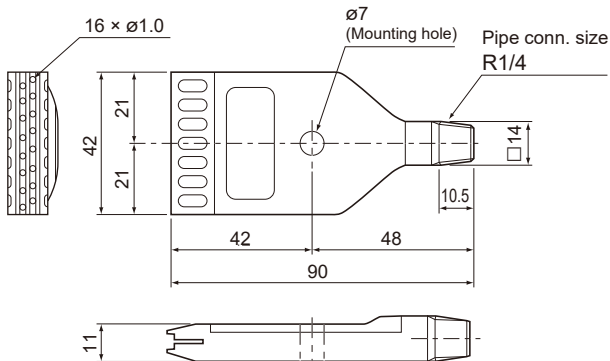


^{*1} Heat resistance varies depending on the pressure applied. Blue colored area indicates the operating range of a PPS model.

Drawing

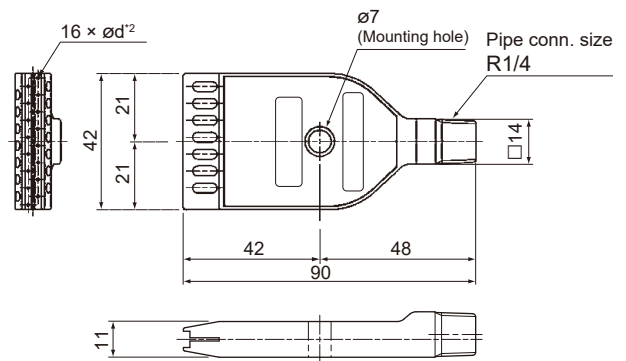
Plastic

■ 1/4M TF-F 42-16-010 PPS



Metal

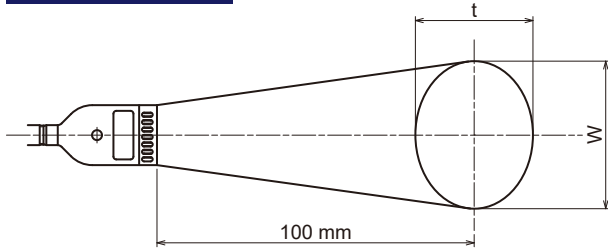
- 1/4M TF-F 42-16-008 S316L-IN
- 1/4M TF-F 42-16-010 S316L-IN
- 1/4M TF-F 42-16-012 S316L-IN



Unit: mm

²ød = Orifice Diameter (OD): ø0.8, ø1.0, or ø1.2 mm

Blowing Pattern



Air pressure (MPa)	Blowing width W (mm)	Thickness t (mm)
0.1	50	50
0.3	55	50
0.5	55	50

Noise Level at a distance of 1,000 mm

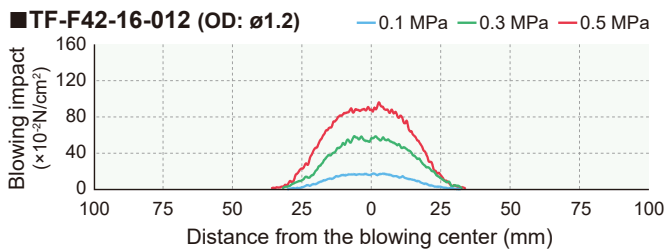
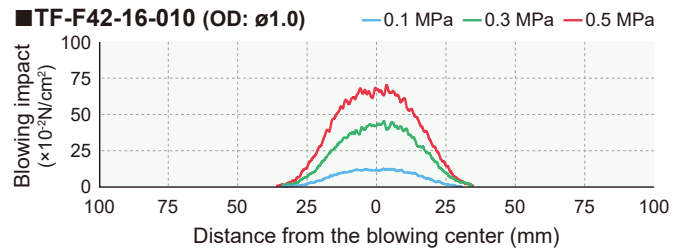
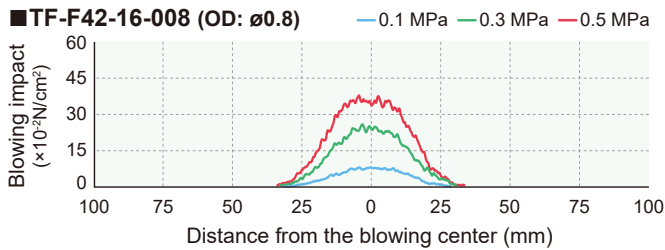
Background noise: 46 dBA

Orifice diameter $\varnothing 1.0$ is available in both plastic and metal. $\varnothing 0.8$ and $\varnothing 1.2$ are only available in metal.

Orifice diameter	Pressure (MPa)	Noise level (dBA)	Orifice diameter	Pressure (MPa)	Noise level (dBA)	Orifice diameter	Pressure (MPa)	Noise level (dBA)
$\varnothing 0.8$	0.1	60	$\varnothing 1.0$	0.1	64	$\varnothing 1.2$	0.1	68
	0.3	72		0.3	77		0.3	80
	0.5	78		0.5	84		0.5	86

Blowing Impact Distribution at 100 mm below the nozzle orifice

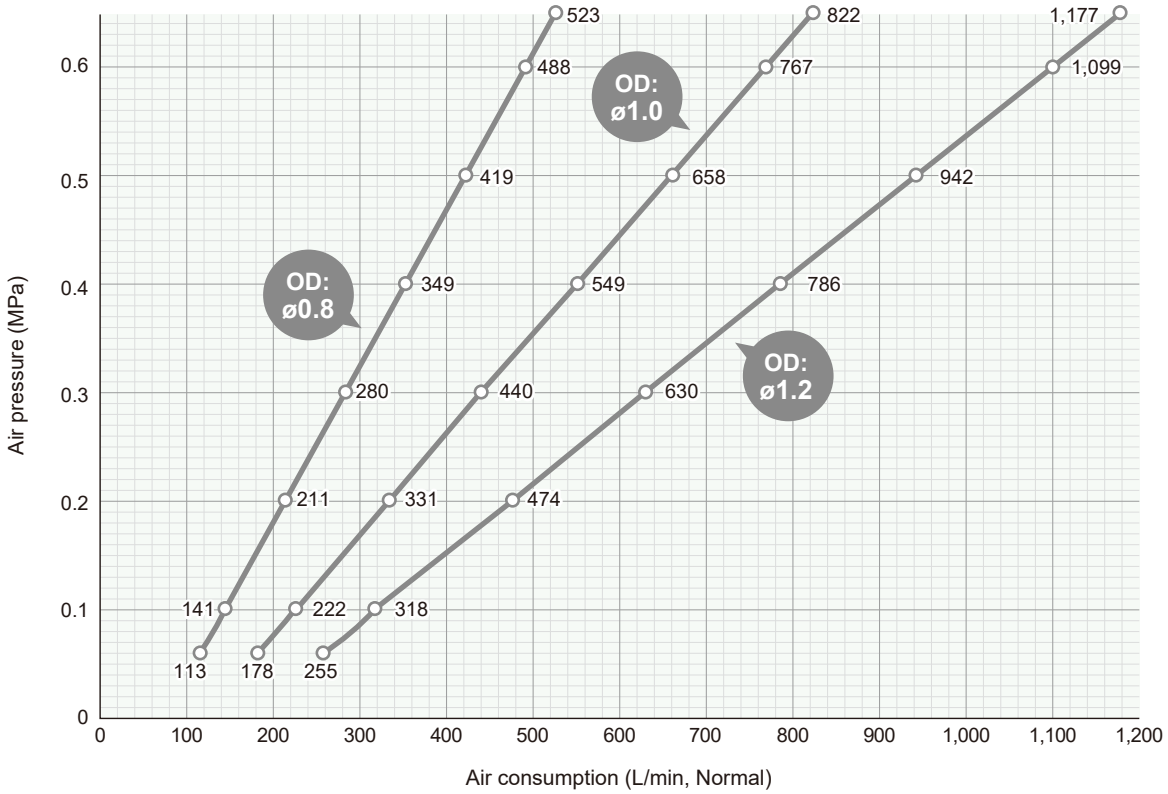
Orifice diameter $\varnothing 1.0$ is available in both plastic and metal. $\varnothing 0.8$ and $\varnothing 1.2$ are only available in metal.



(OD = Orifice Diameter)

Air Consumption

Orifice diameter (OD) ø1.0 is available in both plastic and metal. ø0.8 and ø1.2 are only available in metal.



HOW TO ORDER

Please inquire or order for a specific nozzle using this coding system.

Plastic

1/4M(PT) TF-F 42-16-010 PPS

Thread Type

- (PT)
- (NPT)

Metal

<Example> 1/4M(PT) TF-F 42-16-010 S316L-IN

1/4M(PT) TF-F 42-16-010 S316L-IN

Thread Type

- (PT)
- (NPT)

Orifice Diameter Code

- 008 (ø0.8)
- 010 (ø1.0)
- 012 (ø1.2)