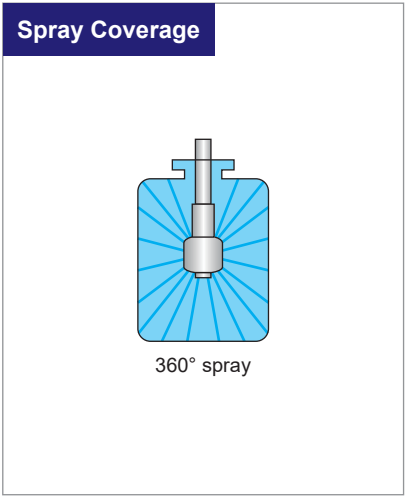


SWB SERIES / SHOWER BALL / Radial Spray from a Ball Nozzle



Also available in PTFE upon request. Contact us for details.



Non-rotation nozzle

Features

- Simple structure.
- Two types of connections available, threaded or pinned.

Applications

- Cleaning the inside of a tank or other vessel

Basic Specifications

Operating Pressure Range
0.1–0.5 MPa (15–70 psi)

Spray Capacity²
35.4–395 L/min

Applicable Tank Size Diameter
About 450–3,750 mm

Max. Temperature⁴
400°C (752°F)

Material¹
S316L

Weight³
90–520 g

Outer Surface Finish
#320 buffing for threaded SWB series
#400 buffing for pinned SWB series

¹In the material code, "S" represents "stainless steel".

²Spray flow rate in the above operating pressure range. See the flow-rate diagram and chart for details.

³See the table in the drawing section.

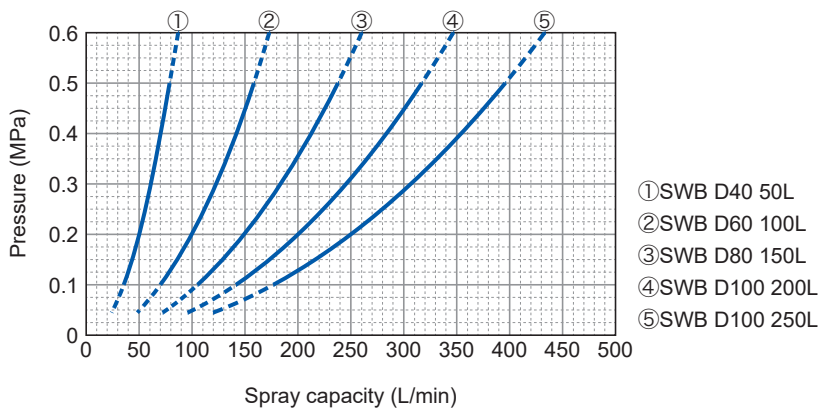
⁴100°C (212°F) for SWB series made of PTFE.

▼ Watch spraying nozzle on YouTube



IKEUCHI SWB

Flow-rate Diagram



SWB SERIES / SHOWER BALL / Radial Spray from a Ball Nozzle

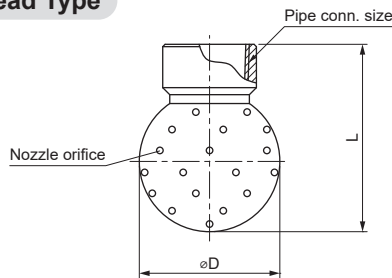
Flow-rate Chart

Ball diameter and spray capacity code	Nozzle orifice diameter (mm)	Pipe connection size		Suitable tank size diameter (mm)	Spray capacity (L/min)				
		Thread size	Pin size ⁵		0.1 MPa	0.2 MPa	0.3 MPa	0.4 MPa	0.5 MPa
D40 50L	1.2	Rc3/4	ø21	450– 900	35.4	50.0	61.2	70.7	79.1
D60 100L	1.7	Rc1	ø25	900–1,800	70.7	100	122	141	158
D80 150L	1.9	Rc1½	ø38	1,350–2,250	106	150	184	212	237
D100 200L	2.2	Rc2	ø50	1,800–3,000	141	200	245	283	316
D100 250L	2.4	Rc2	ø50	2,250–3,750	177	250	306	354	395

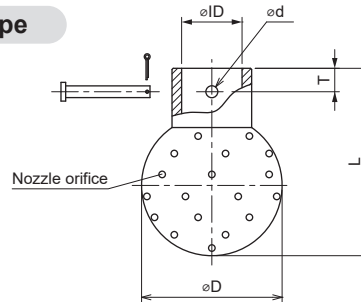
⁵Pin size indicates pin connection code, not the exact pin size or pipe diameter. For details see dimension table below.

Drawing

Thread Type



Pin Type



Download 3D/2D CAD file

■ Dimensions and weight

Ball diameter (øD) and spray capacity code	Pipe connection size		Outer dimensions (mm)					Number of orifices ⁶	Weight (g)
			L	øD	ød	øID	T		
D40 50L	Thread type	Rc3/4	56	40	–	–	–	44	90
	Pin type	15A (ø21.7)			5	22.1	10		90
D60 100L	Thread type	Rc1	80	60	–	–	–	50	190
	Pin type	1S (ø25.4)			5	25.8	10		200
D80 150L	Thread type	Rc1½	102	80	–	–	–	60	340
	Pin type	1.5S (ø38.1)			5	38.5	15		340
D100 200L	Thread type	Rc2	125	100	–	–	–	60	520
	Pin type	2S (ø50.8)			8	51.2	15		490
D100 250L	Thread type	Rc2	125	100	–	–	–	60	520
	Pin type	2S (ø50.8)			8	51.2	15		490

⁶Drain hole is not included.

HOW TO ORDER

To inquire about or order a specific product please refer to this coding system.

Threaded SWB

Example: 3/4F SWB D40 50L S316L

3/4F SWB D40 50L S316L

Thread Size⁷

■3/4F ■1F
■1*1/2F ■2F

Ball Diameter and Spray Capacity Code

■D40 50L ■D60 100L
■D80 150L ■D100 200L
■D100 250L

Pinned SWB

Example: ø21 SWB D40 50L S316L

ø21 SWB D40 50L S316L

Pin Size⁵

■ø21 ■ø25
■ø38 ■ø50

Ball Diameter and Spray Capacity Code

■D40 50L ■D60 100L
■D80 150L ■D100 200L
■D100 250L

⁷"F" indicates female tapered pipe thread ("Rc" of the ISO standard), e.g. 3/4F = Rc3/4.