

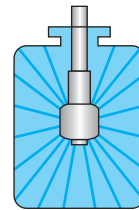
RJ SERIES / ROTARY JETTER / Powerful 3D Rotational Cleaning



Cleaning hard to remove dirt



Spray Coverage



360° spray

Note: RJ has two holes in the bottom of the body for drainage.

Features

- Powerful 3D rotational solid stream jet cleans the inside of tanks.
- No external power is needed as rotation is driven solely by the flow of the cleaning liquid.
- Heat-resistant up to 80 deg. C (about 170 deg. F).
- Compact design allows for easy installation even if the inlet is small.
- Insertion and removal is easy since the rotating nozzle is not locked into place.
- The RJ3-2L is equipped with two nozzles, and the RJ3-4L with four nozzles.

Applications

- Removing tough, sticky and stubborn dirt
- Cleaning of food and beverage tanks
- Cleaning inside the chests (material tanks of paper making), etc.

Basic Specifications

Operating Pressure Range
 1/2F RJ3-2L: 0.2–1.0 MPa (30–145 psi)
 1*1/2F RJ3-2L/4L: 0.3-0.8 MPa (45-115 psi)

Spray Capacity²
 25.6–246 L/min

Reach Distance of Spray (RADIUS)
 1/2F RJ3-2L: about 7 m
 1*1/2F RJ3-2L-ø7 or ø8: about 10 m
 1*1/2F RJ3-2L-ø9: about 12 m
 1*1/2F RJ3-4L: about 9 m

Max. Temperature
 80°C (176°F)

Main Material¹
 1/2F RJ: S304, SCS14, UPE, PTFE, PEEK
 1*1/2F RJ: S304, SCS13, UPE, PTFE, PEEK

Weight
 1/2F RJ3-2L: 0.62 kg
 1*1/2F RJ3-2L: 2.7 kg
 1*1/2F RJ3-4L: 2.8 kg

Rotation Speed
 N/A

Outer Surface Finish
 #320 buffing is optional and available upon request for an additional charge.

▼ Watch rotating & spraying nozzle on YouTube

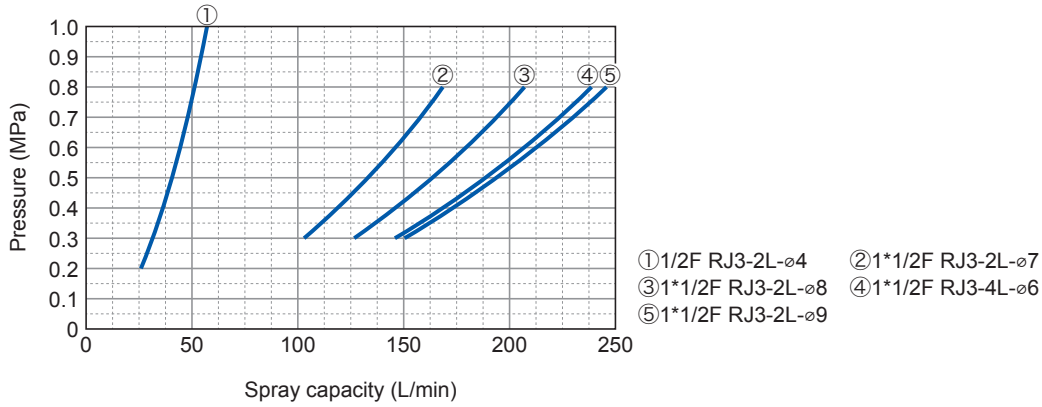


IKEUCHI RJ

¹ In the material code, "S" represents "stainless steel". SCS13 is cast stainless steel equivalent to S304. SCS14 is cast stainless steel equivalent to S316.

² Spray flow rate in the above operating pressure range is for reference only. See the flow-rate diagram and chart for more details.

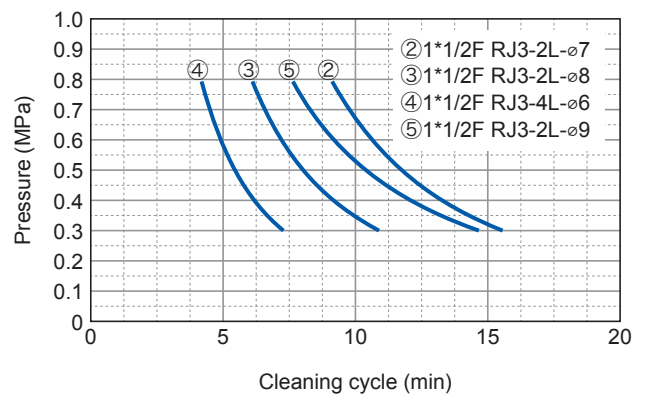
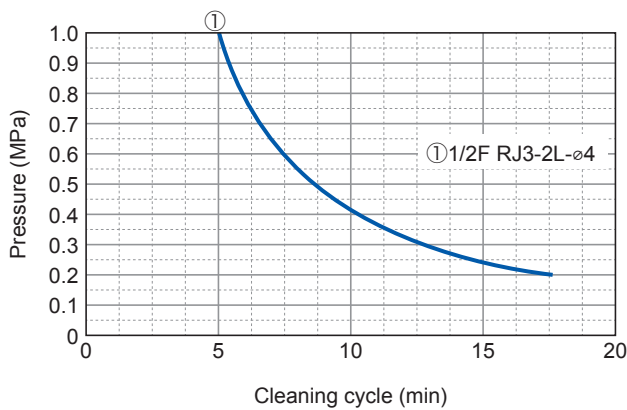
Flow-rate Diagram



Flow-rate Chart

Model No. (RJ3-)	Nozzle orifice diameter (mm)	Pipe conn. size	Spray capacity (L/min) [for reference only]								
			0.2 MPa	0.3 MPa	0.4 MPa	0.5 MPa	0.6 MPa	0.7 MPa	0.8 MPa	0.9 MPa	1.0 MPa
2L-ø4	4	Rc1/2	25.6	31.4	36.2	40.5	44.4	47.9	51.2	54.3	57.3
2L-ø7	7	Rc1½	—	103	119	133	146	158	169	—	—
2L-ø8	8	Rc1½	—	127	146	164	179	194	207	—	—
4L-ø6	6	Rc1½	—	146	169	189	207	223	239	—	—
2L-ø9	9	Rc1½	—	151	174	194	213	230	246	—	—

Pressure and Cleaning Cycle

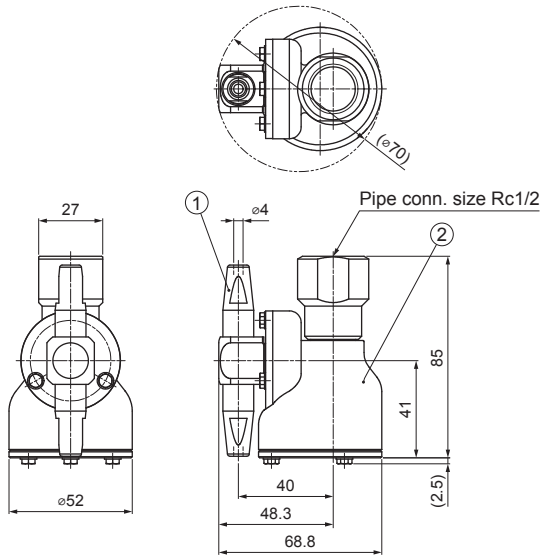


RJ SERIES / ROTARY JETTER / Powerful 3D Rotational Cleaning

Cleaning hard to remove dirt

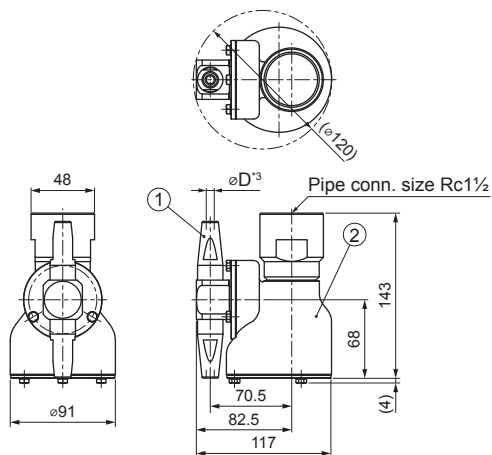
Drawing

1/2F RJ3-2L (with 2 nozzles)

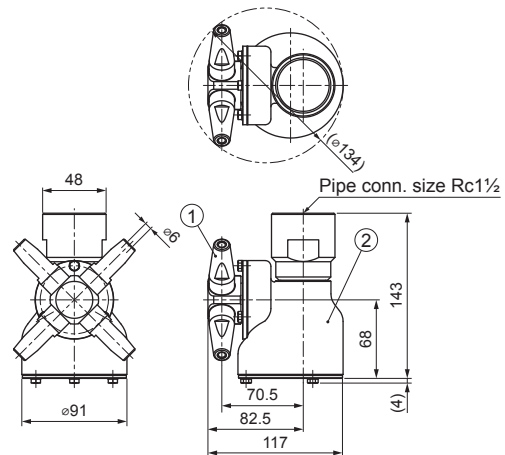


Download 3D/2D CAD file

1*1/2F RJ3-2L (with 2 nozzles)



1*1/2F RJ3-4L (with 4 nozzles)



³Nozzle orifice diameter is shown in $\varnothing D$ (either $\varnothing 7$, $\varnothing 8$, or $\varnothing 9$).

① Nozzle ② Body

Unit: mm

HOW TO ORDER

To inquire about or order a specific product please refer to this coding system.

Example: 1*1/2F RJ 3-2L- $\varnothing 7$

1*1/2F RJ 3 - 2L - $\varnothing 7$

Pipe Conn. Size⁴

- 1/2F
- 1*1/2F

Number of Nozzles Attached

- 2L (with 2 nozzles)
- 4L (with 4 nozzles)

Nozzle Orifice Diameter

- $\varnothing 4$ ■ $\varnothing 6$
- $\varnothing 7$ ■ $\varnothing 8$
- $\varnothing 9$

⁴"F" indicates female tapered pipe thread ("Rc" of the ISO standard), e.g. 1/2F = Rc1/2.