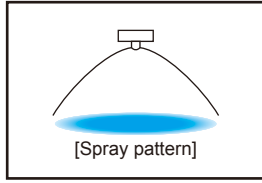


# Clog-resistant Fine Fog Nozzles

## Wide-angle Flat Spray

YYA



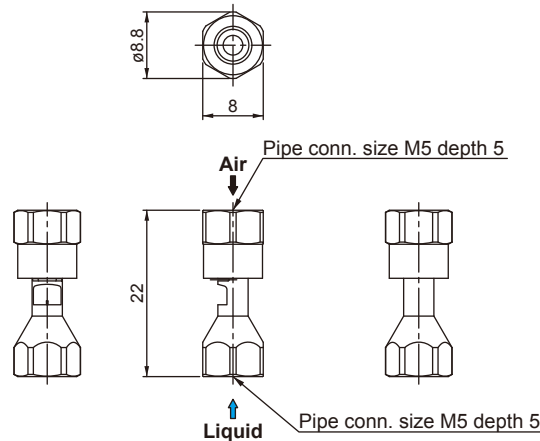
- Wide-angle flat spray pneumatic nozzle producing fine atomization with a mean droplet diameter of 15–30  $\mu\text{m}$ .<sup>\*1</sup>
  - External mixing type (designed to mix air and liquid outside the nozzle for atomization).
  - Unique 2-step atomization mechanism enables a wide spray angle of 80°. Combines “clog-resistant” and “wide spray angle” features.
  - Compact, 22 mm-long design.
  - Capable of spraying viscous liquid up to approx. 300 cP.<sup>\*2</sup>
- <sup>\*1</sup>) Droplet diameter measured by laser Doppler method  
<sup>\*2</sup>) Spray capacity and spray angle are reduced when viscous liquid is sprayed. Raising the liquid pressure to 0.2–0.3 MPa is recommended when spray capacity is small, otherwise the spray pattern becomes irregular.

### APPLICATIONS

- Spraying viscous liquid such as oil and honey

### DRAWING

■ Material: S303



Unit: mm

### PERFORMANCE DATA

Spray angle code <sup>*3</sup>	Air consumption code	Air pressure (MPa)	Air consumption (L/min, Normal)	Spray capacity (L/hr)				Spray width <sup>*4</sup> (mm)				Mean droplet diameter ( $\mu\text{m}$ ) Laser Doppler method	Free passage diameter (mm)		Weight (g)
				Liquid pressure (MPa)				Liquid pressure (MPa)					Liquid	Air	
				0.01	0.05	0.1	0.2	0.01	0.05	0.1	0.2				
80	04	0.2	27	2.2	5.0	7.1	10.0	160	170	170	—	15–30	0.4	0.2	5
		0.3	36					170	170	180	190				
		0.4	45					170	180	190	200				
		0.5	54					180	180	200	210				

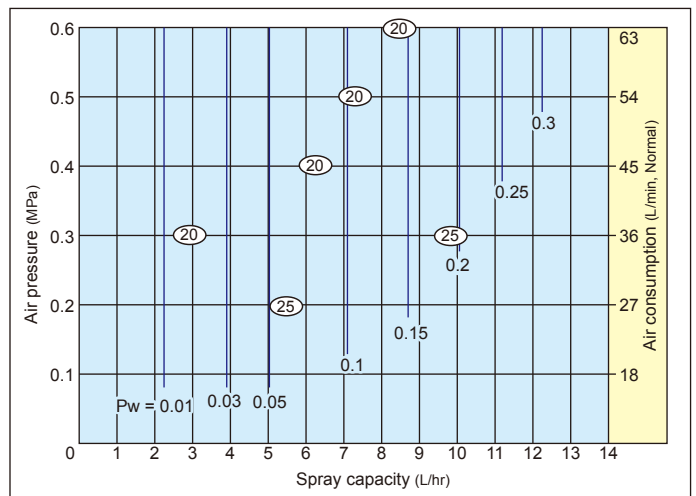
<sup>\*3</sup>) Spray angle measured at compressed air pressure of 0.3 MPa and liquid pressure of 0.05 MPa.

<sup>\*4</sup>) Spray width measured at spray distance of 100 mm from nozzle.

### FLOW-RATE DIAGRAMS

■ How to read the chart

1. The spray capacity shown is for one nozzle.
2. Numbers at foot of each line indicate liquid pressures  $P_w$  in MPa.
3. Numbers in ovals  $\bigcirc$  indicate Sauter mean diameters ( $\mu\text{m}$ ) measured by laser Doppler method.



### HOW TO ORDER

Please inquire about or order using this product code.

M5F YYA 8004 S303